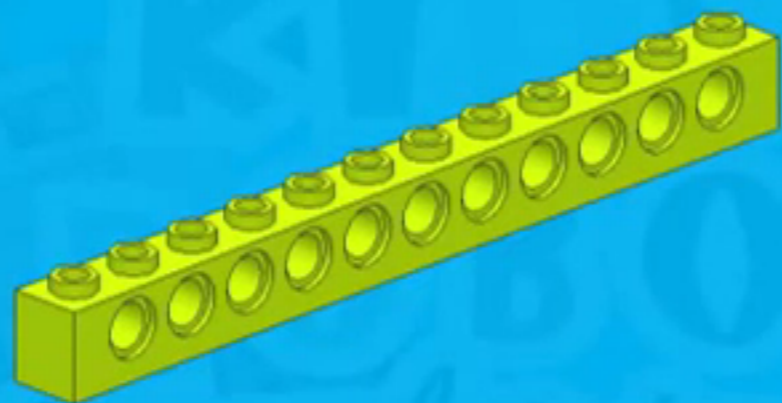
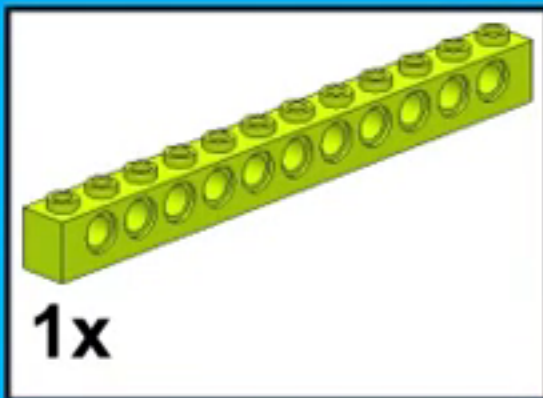


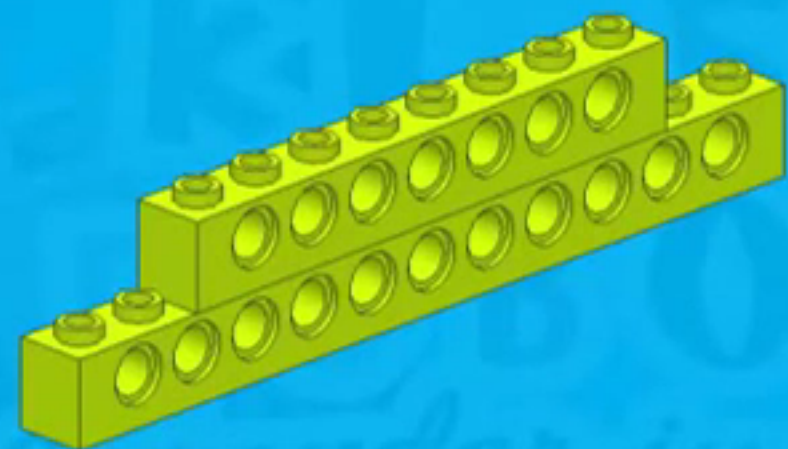
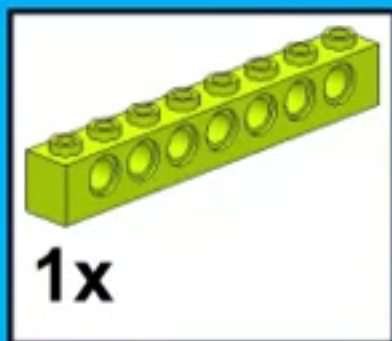
1



Aprender jugando

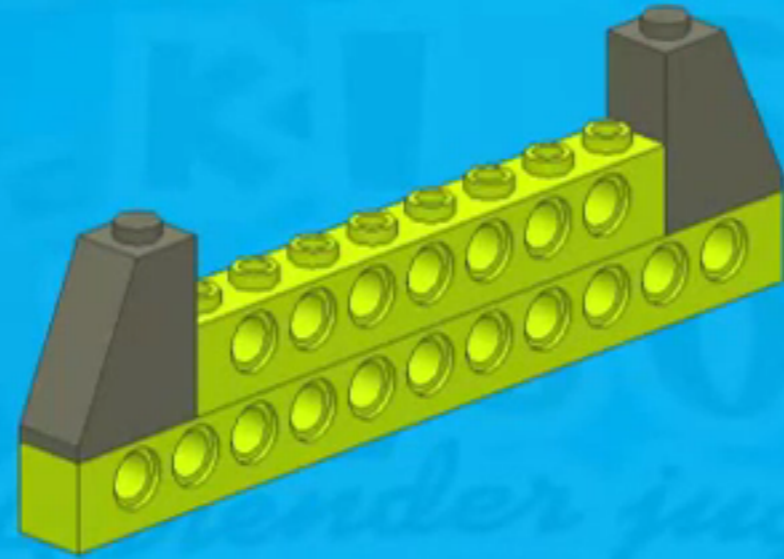


2

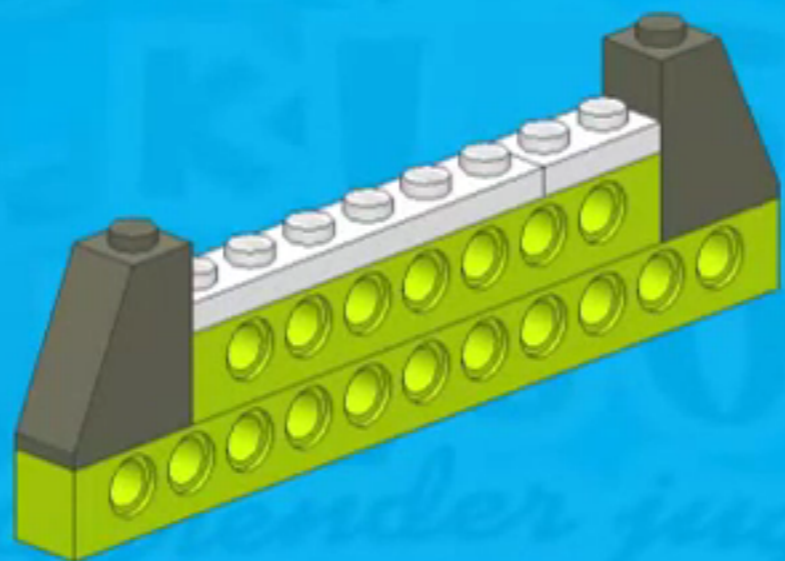
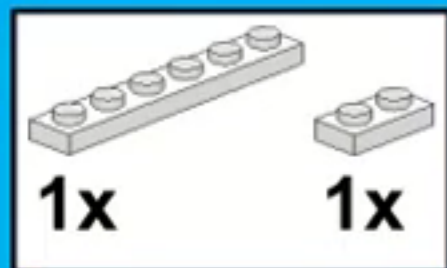


Aprender jugando

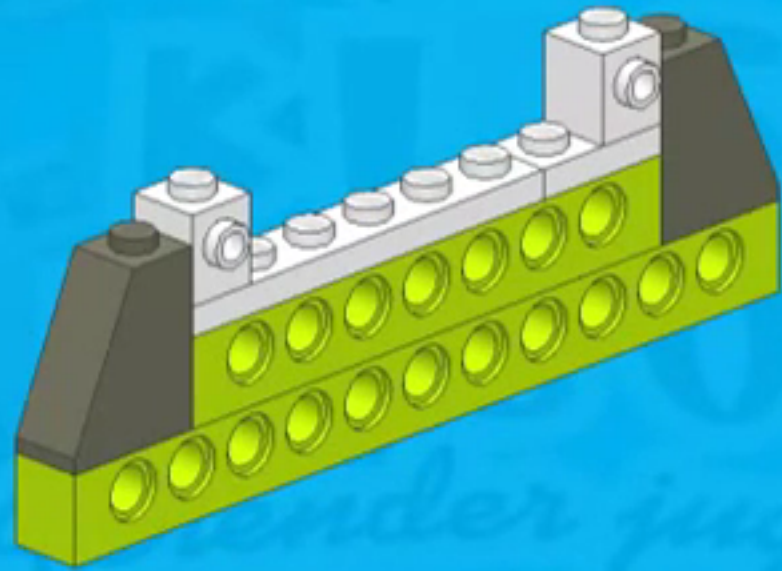
3



4

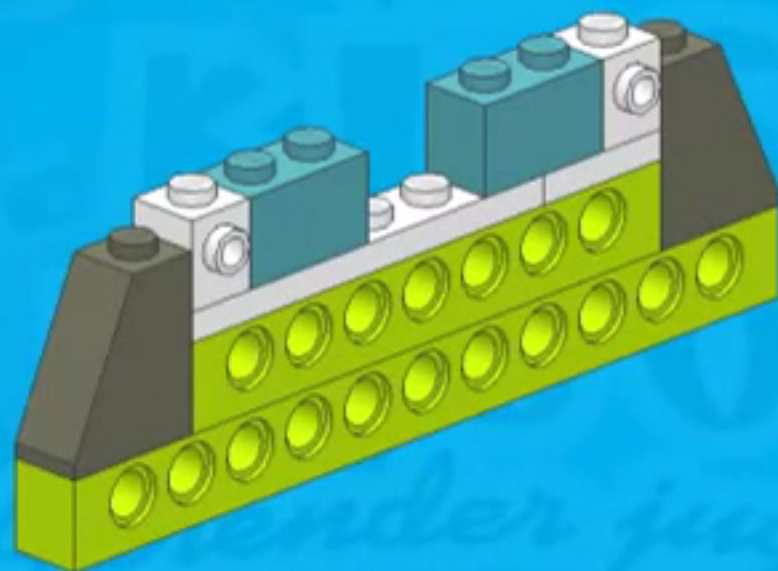


5

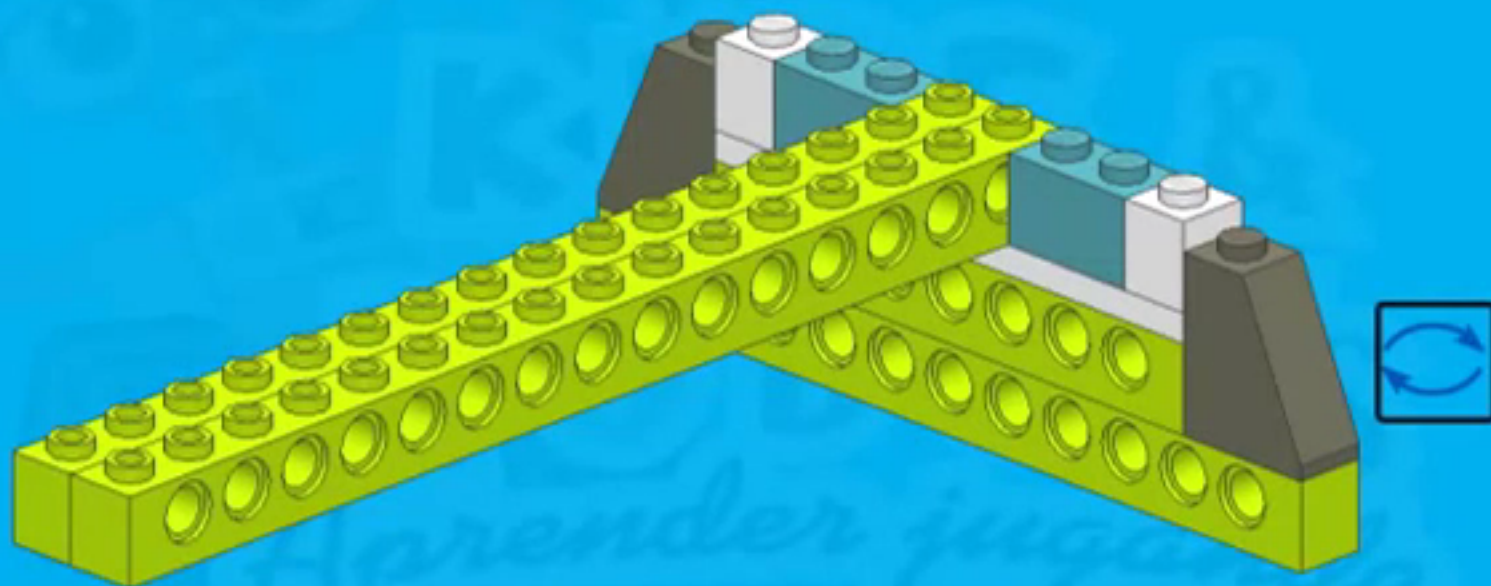
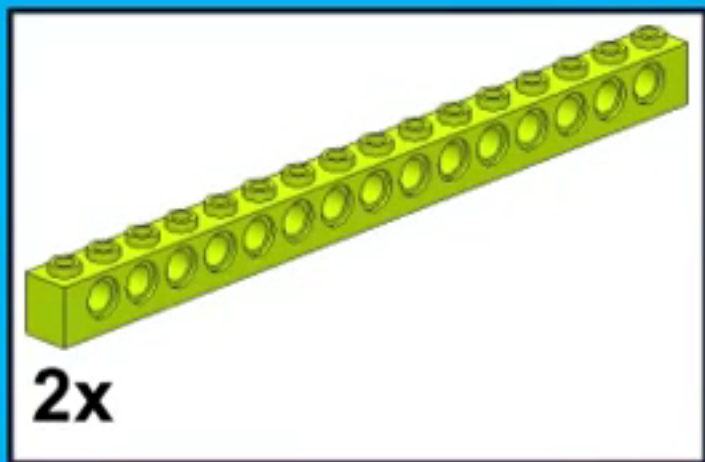


4:47

6

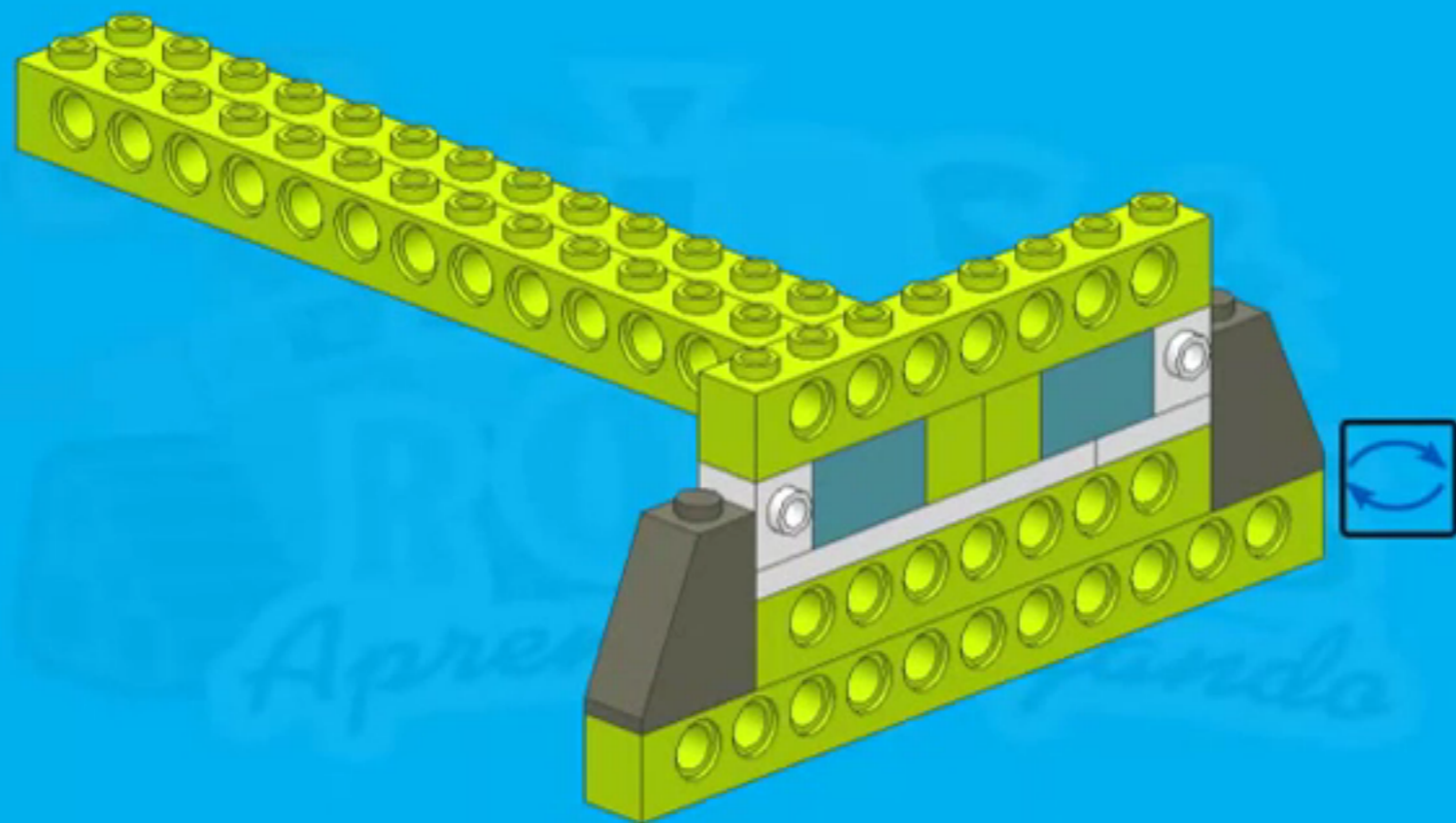
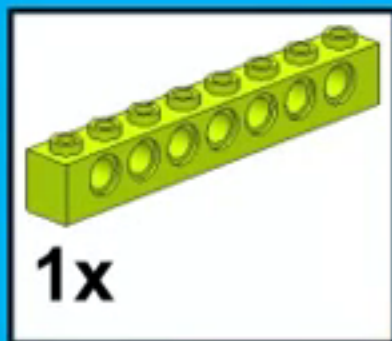


7

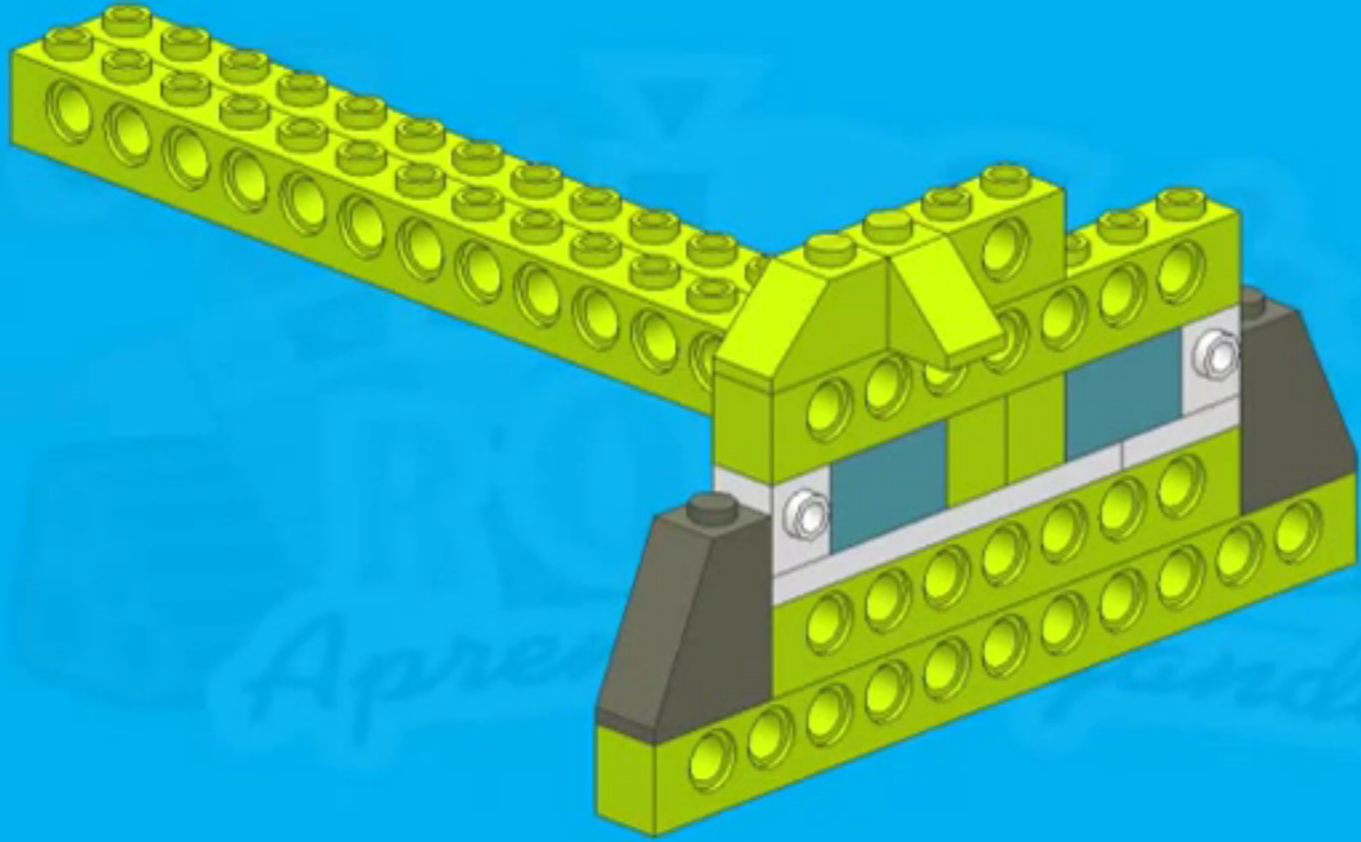
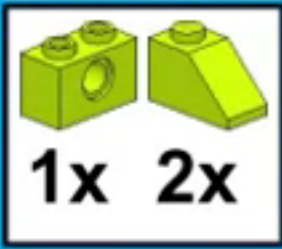


Aprender jugando

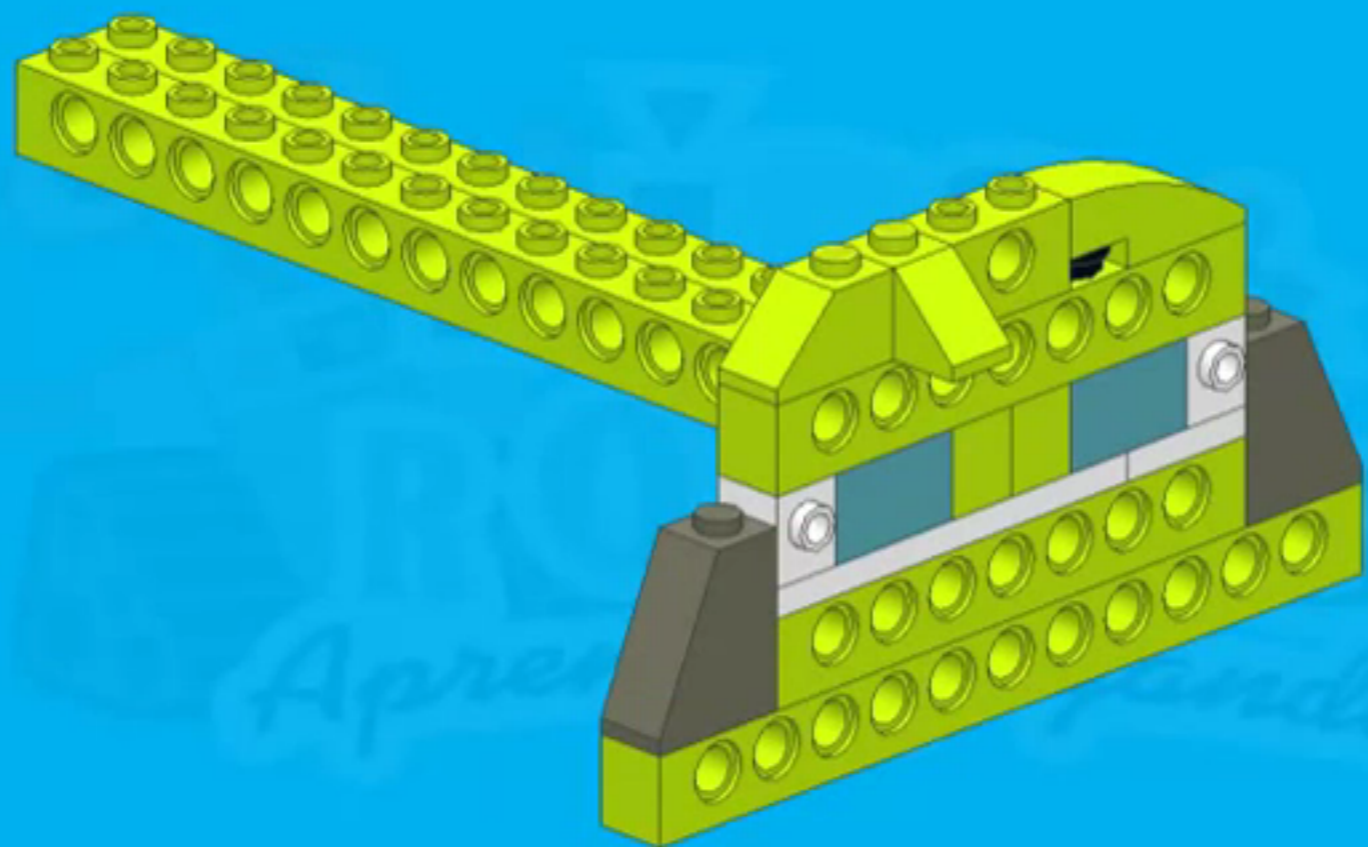
8



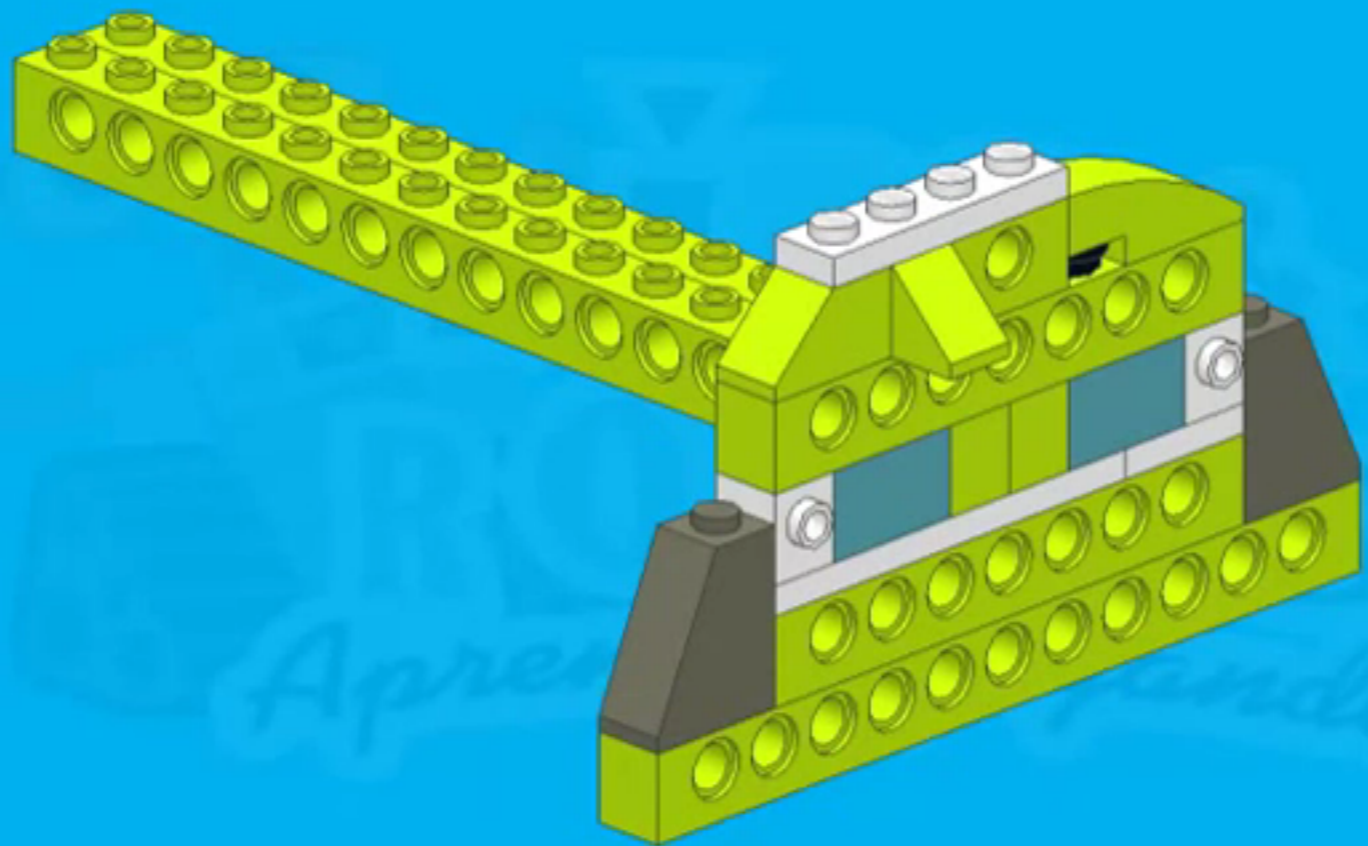
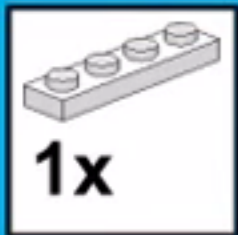
9



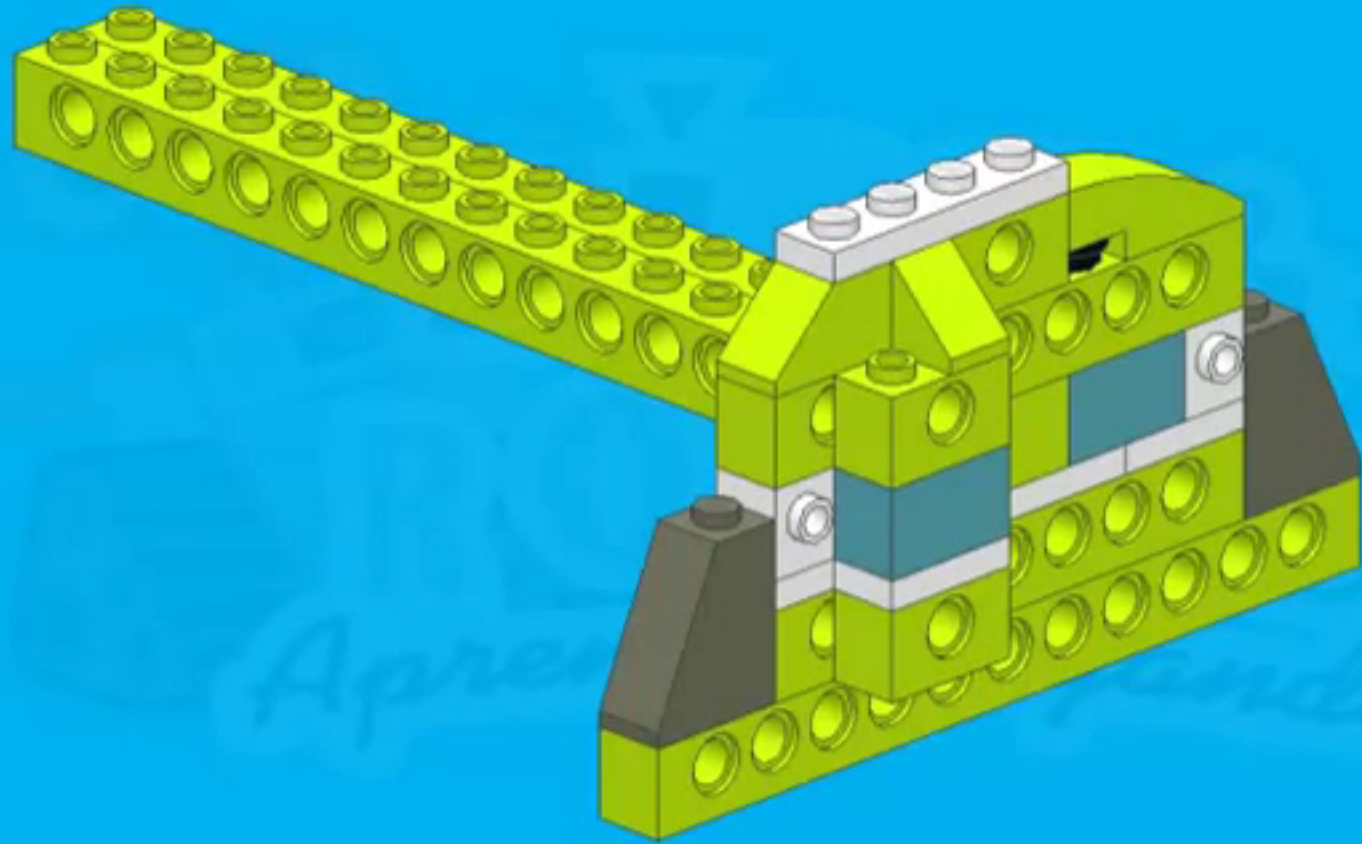
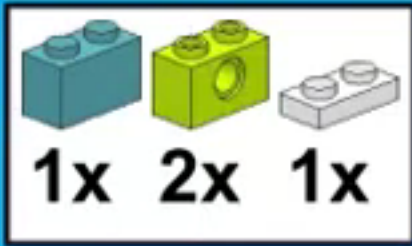
10



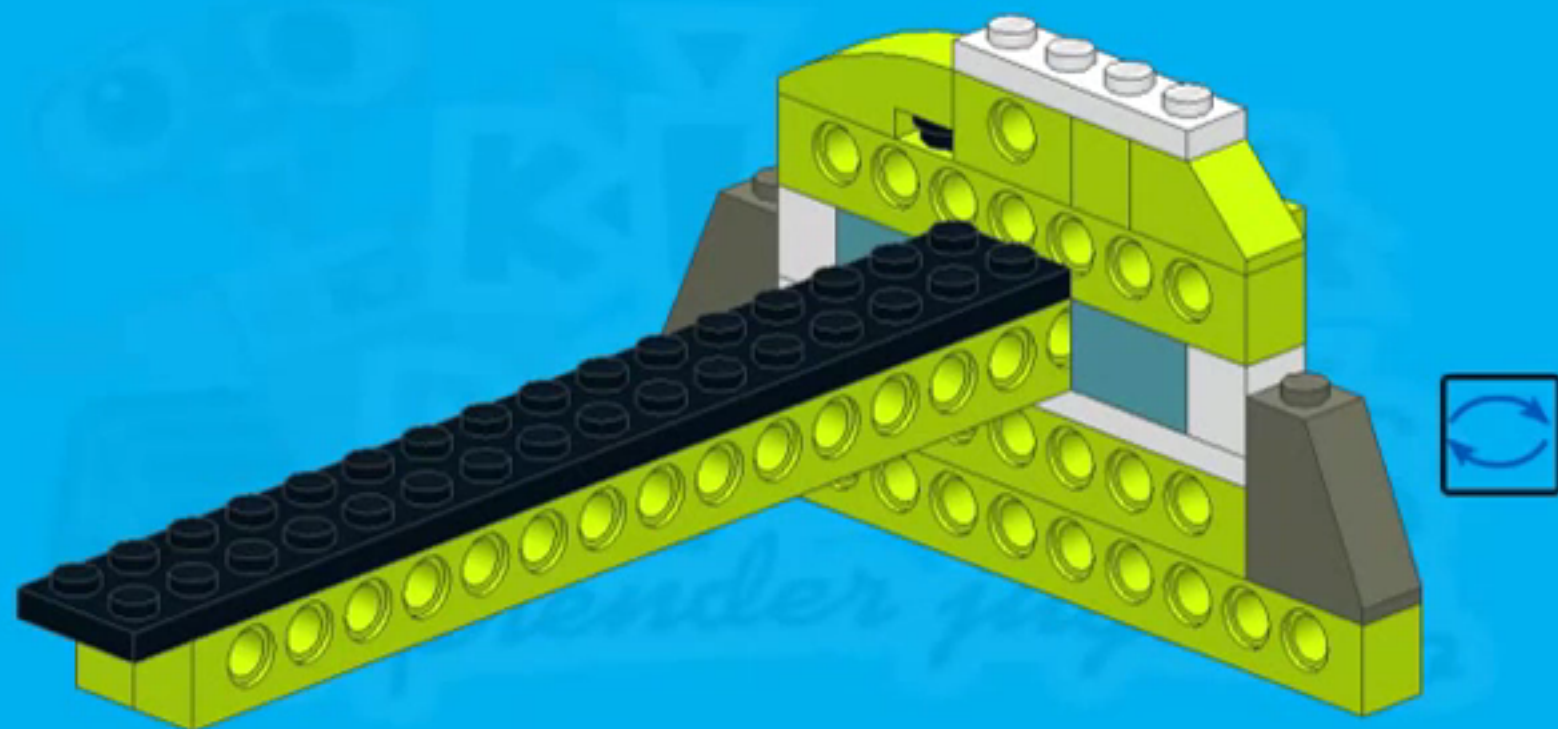
11



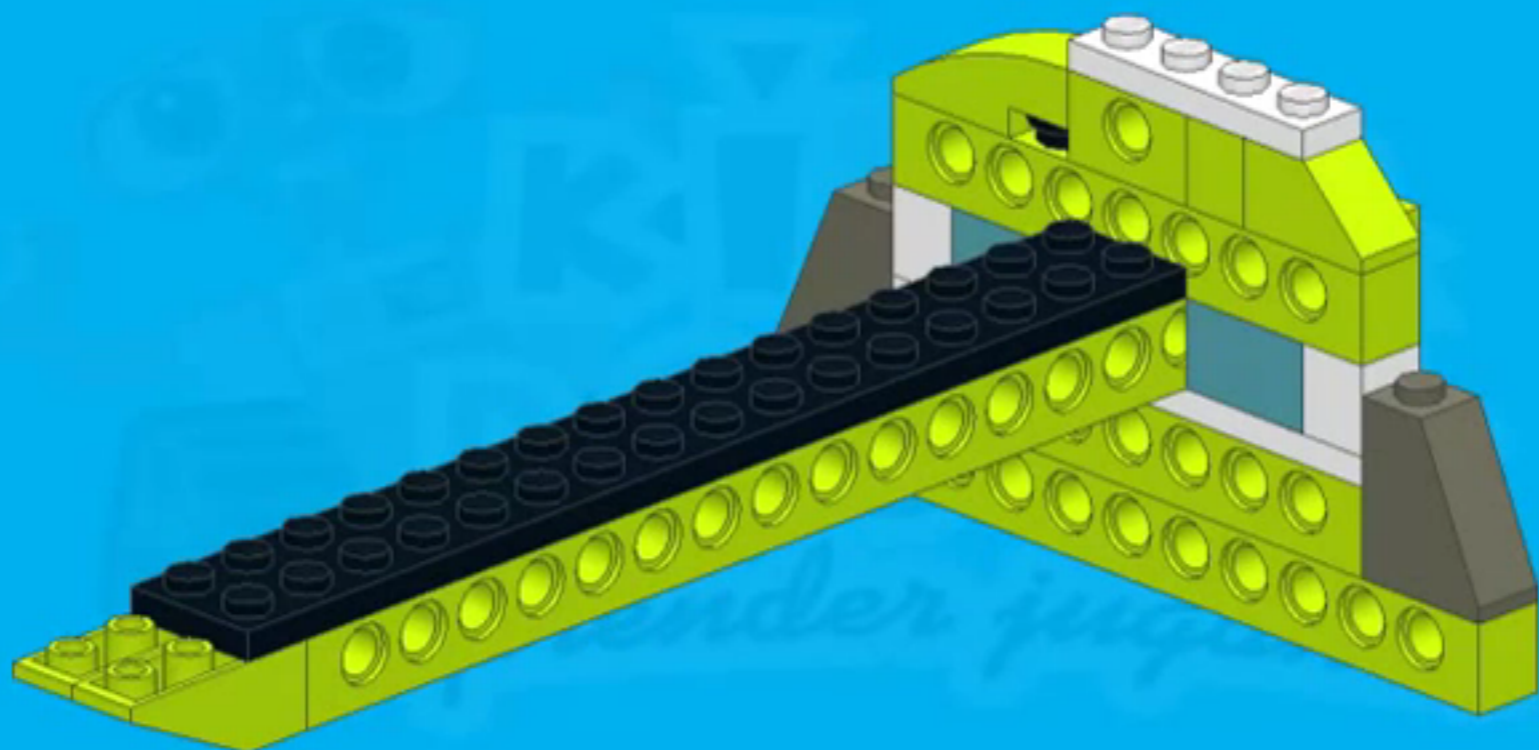
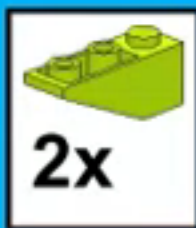
12



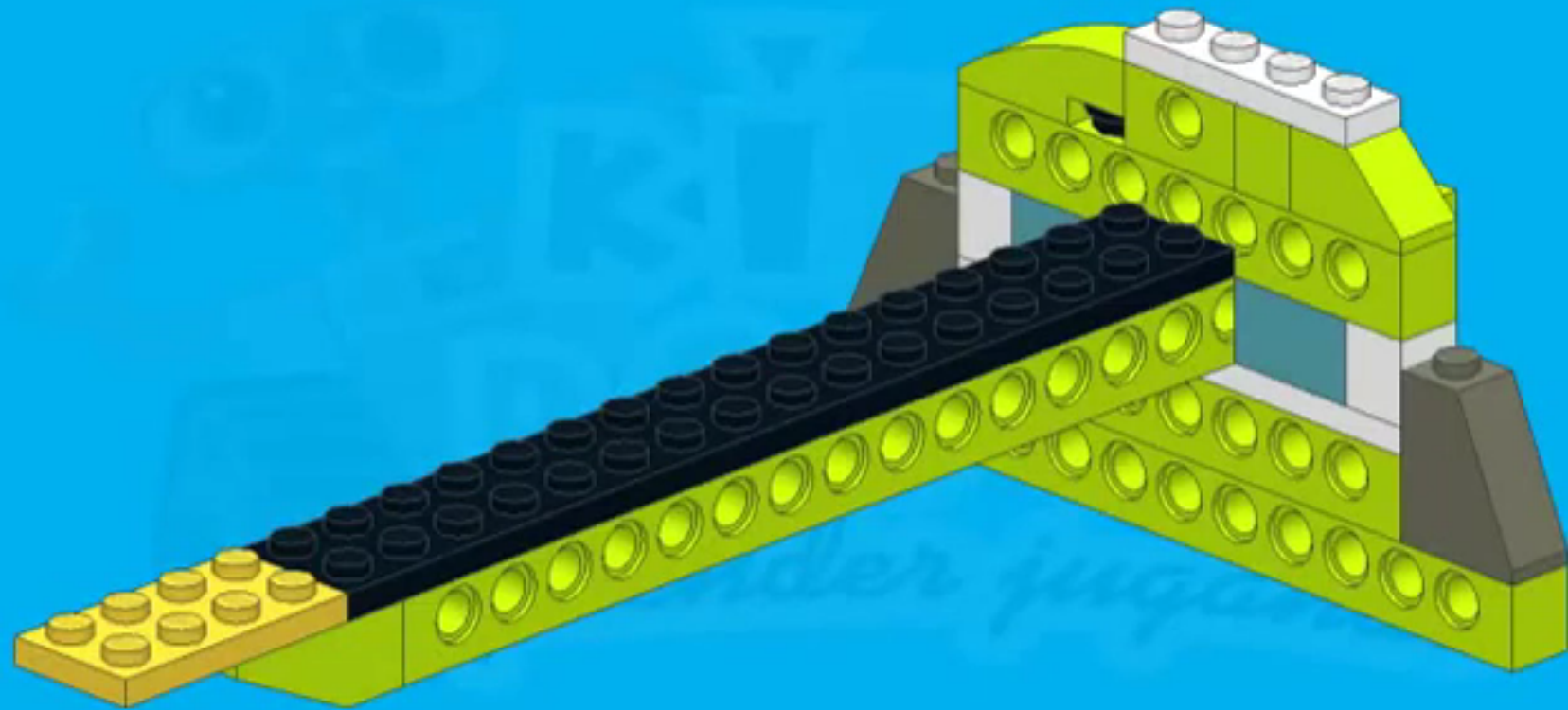
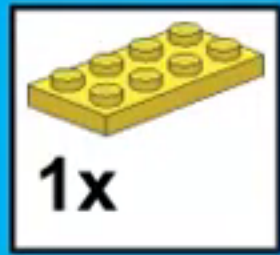
13



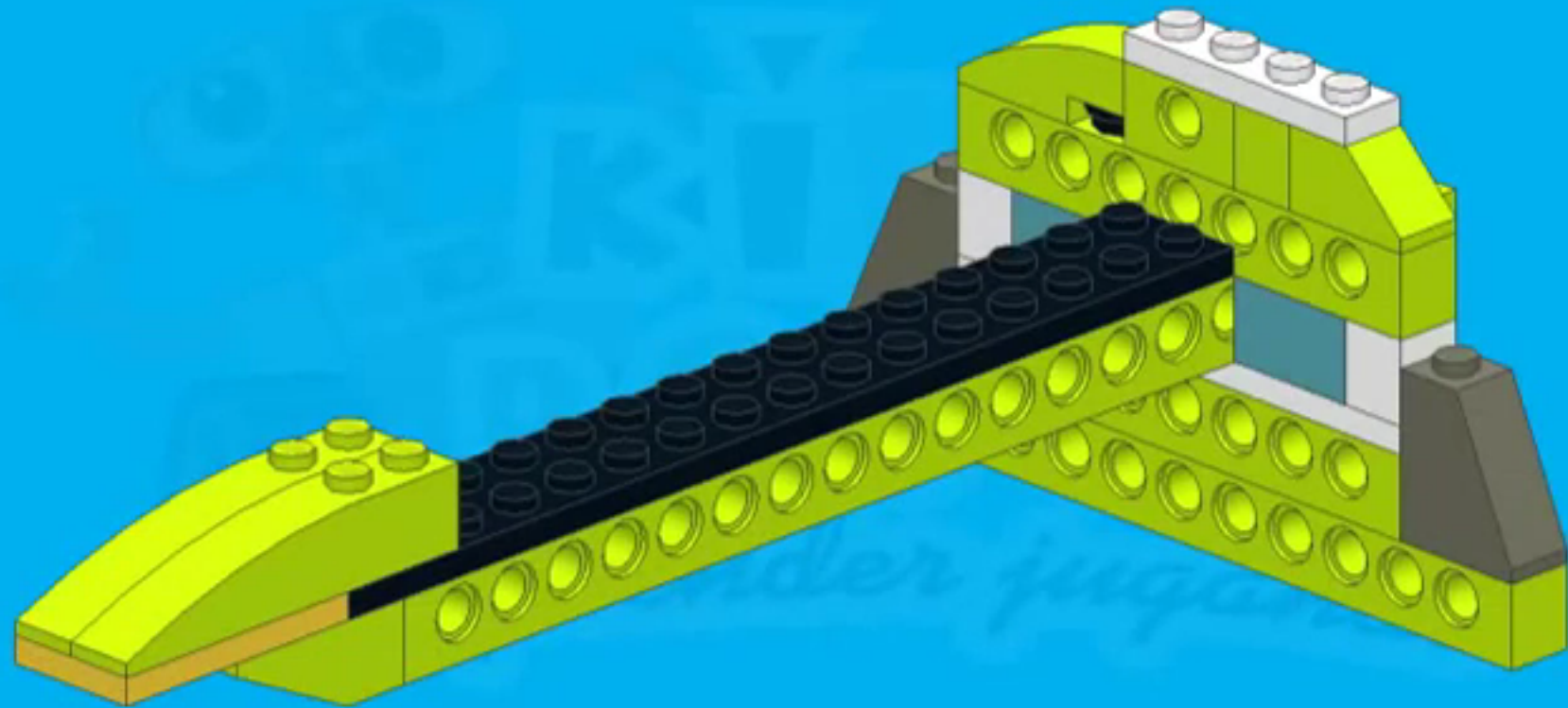
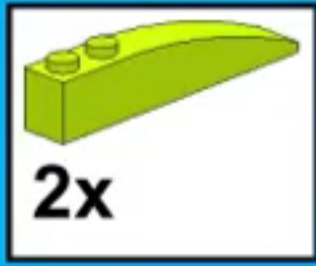
14



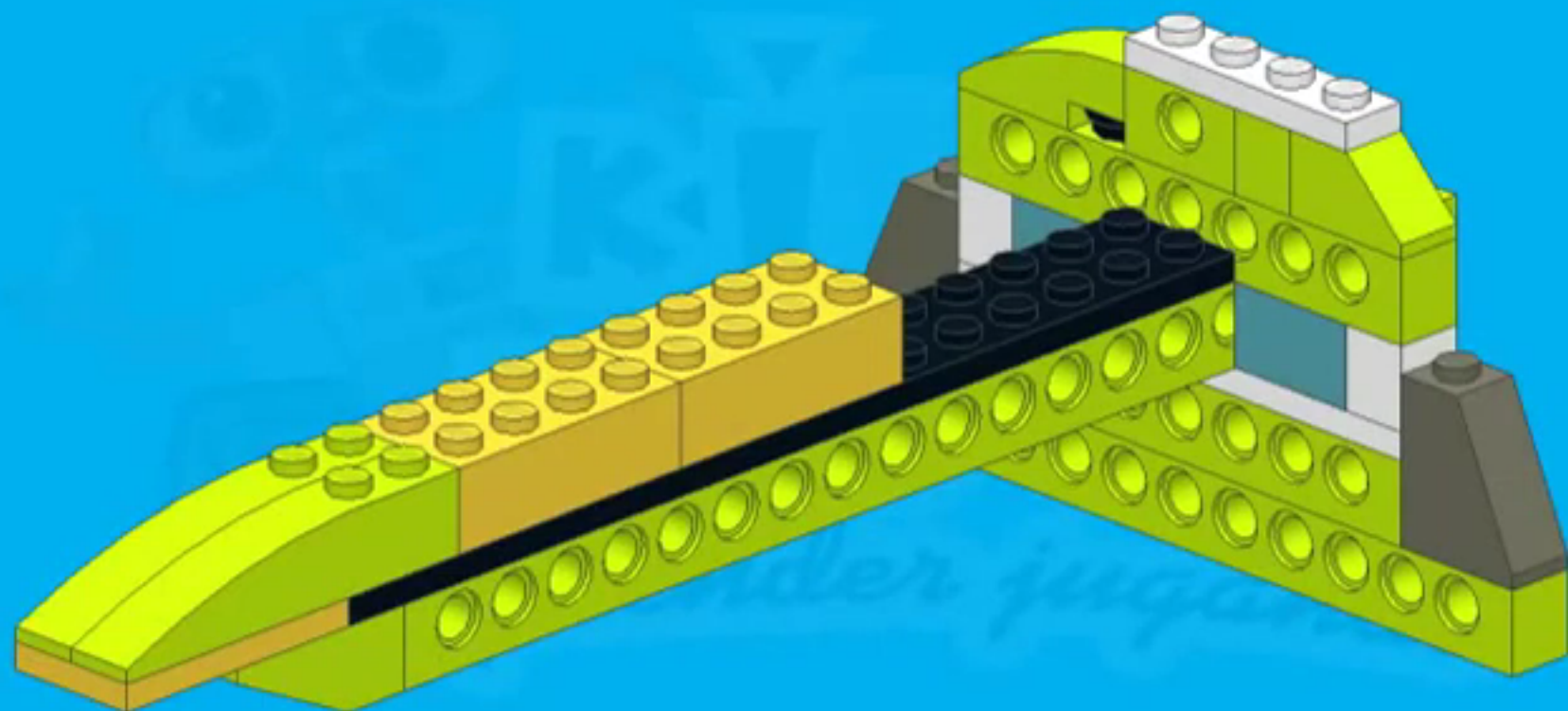
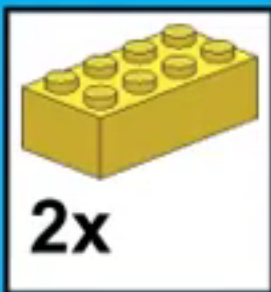
15



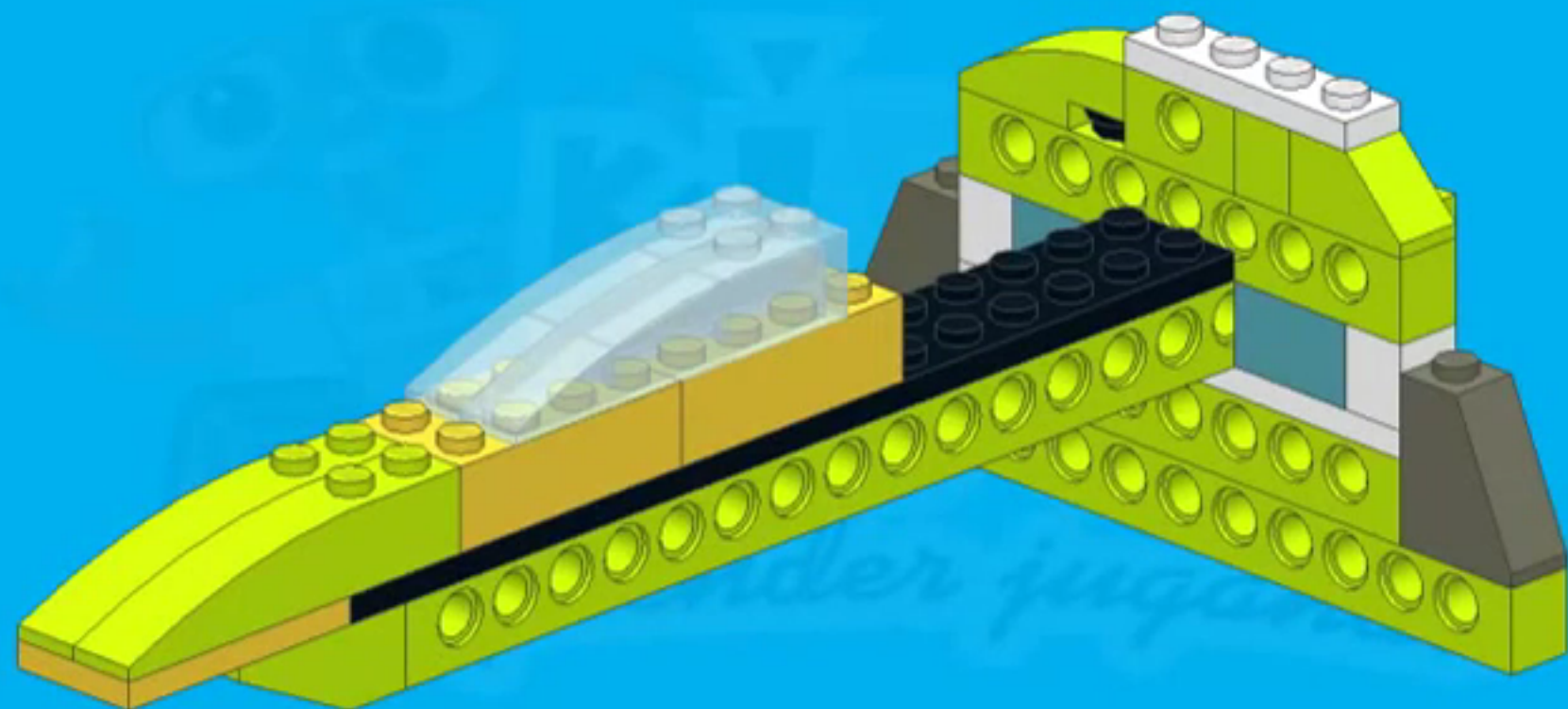
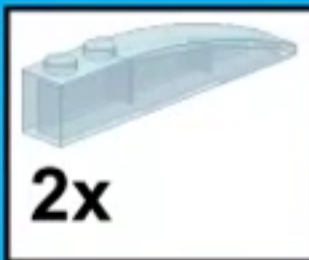
16



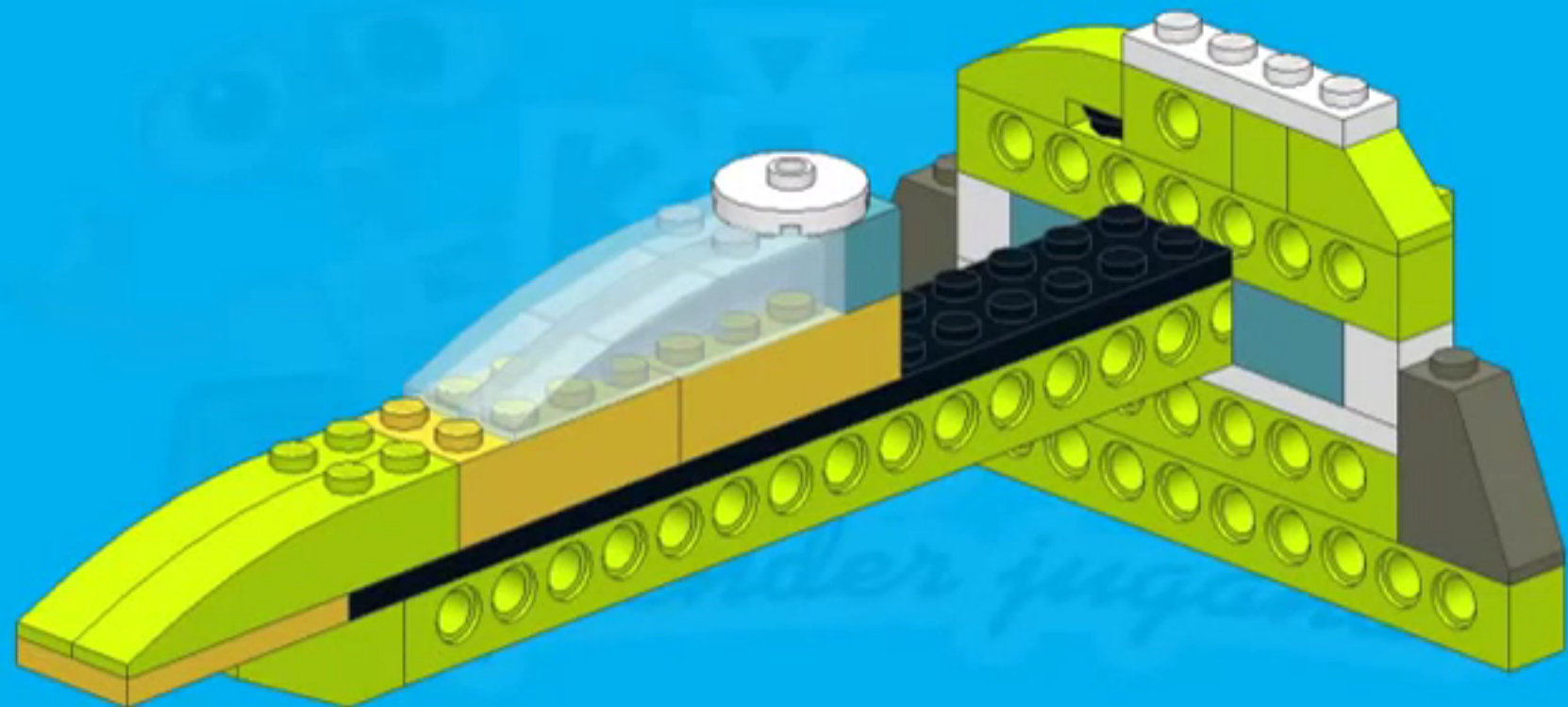
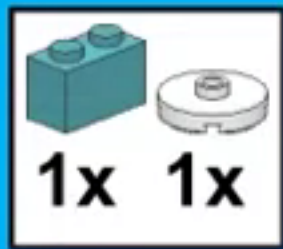
17



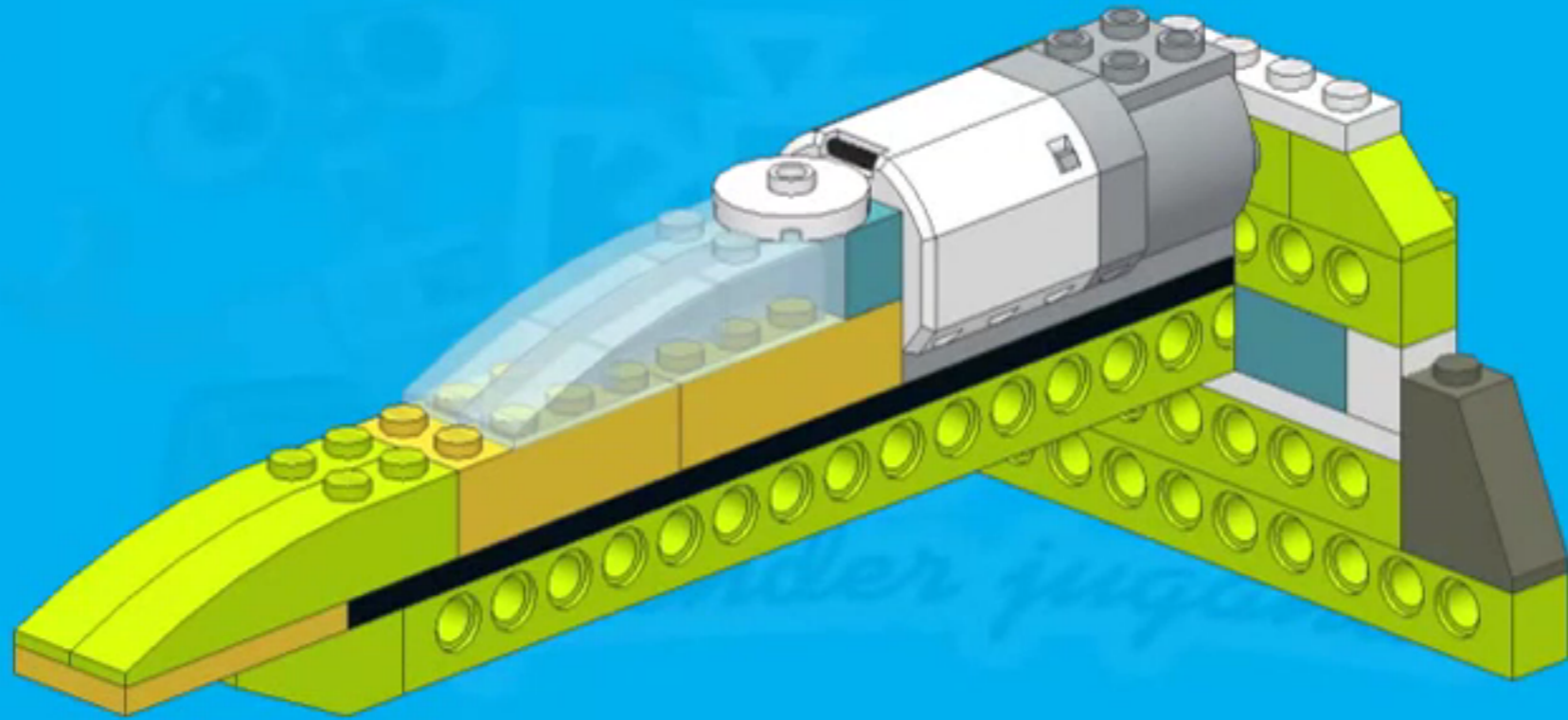
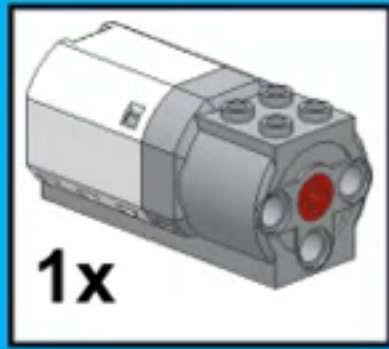
18



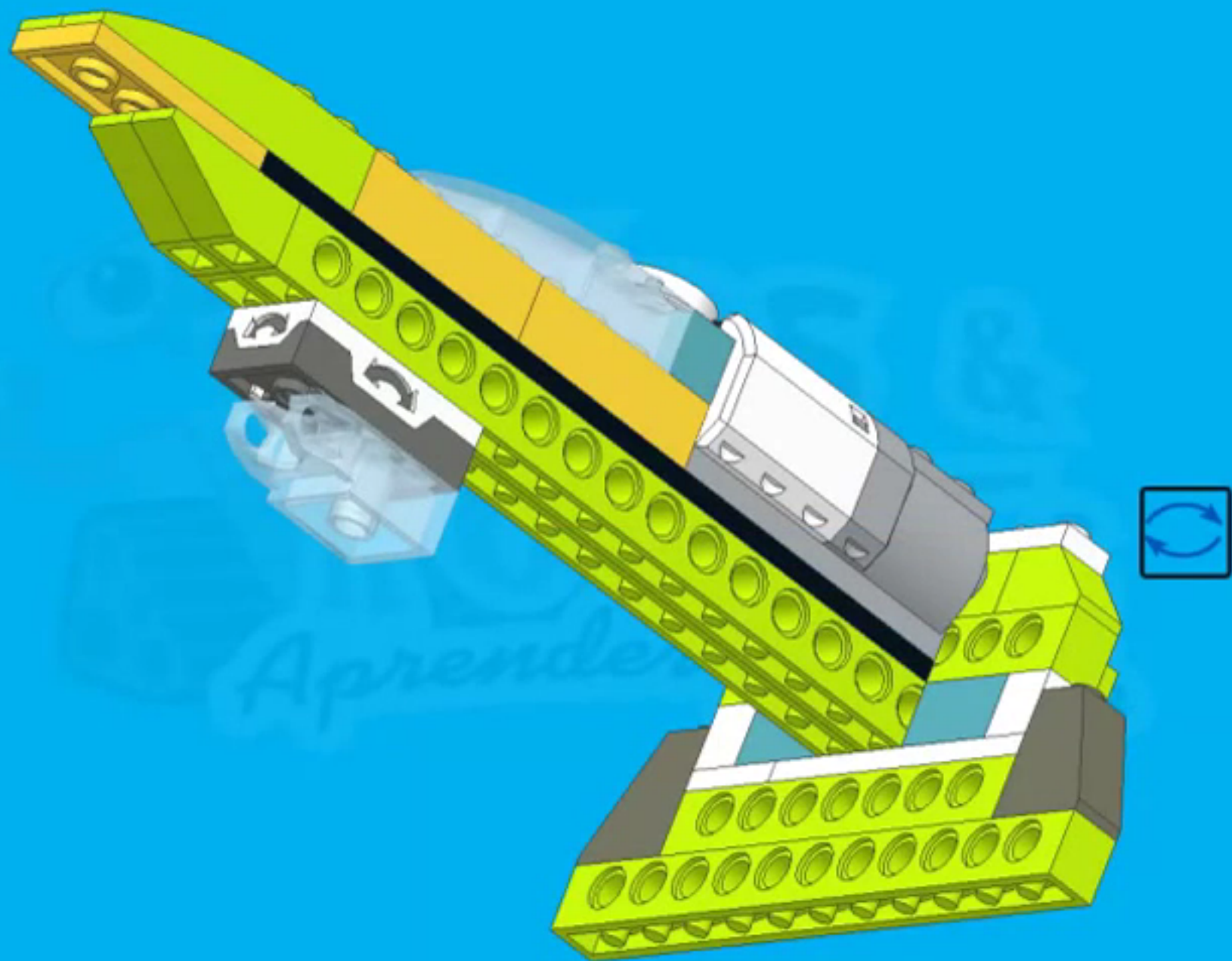
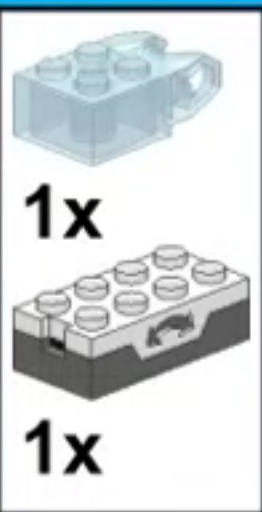
19






20

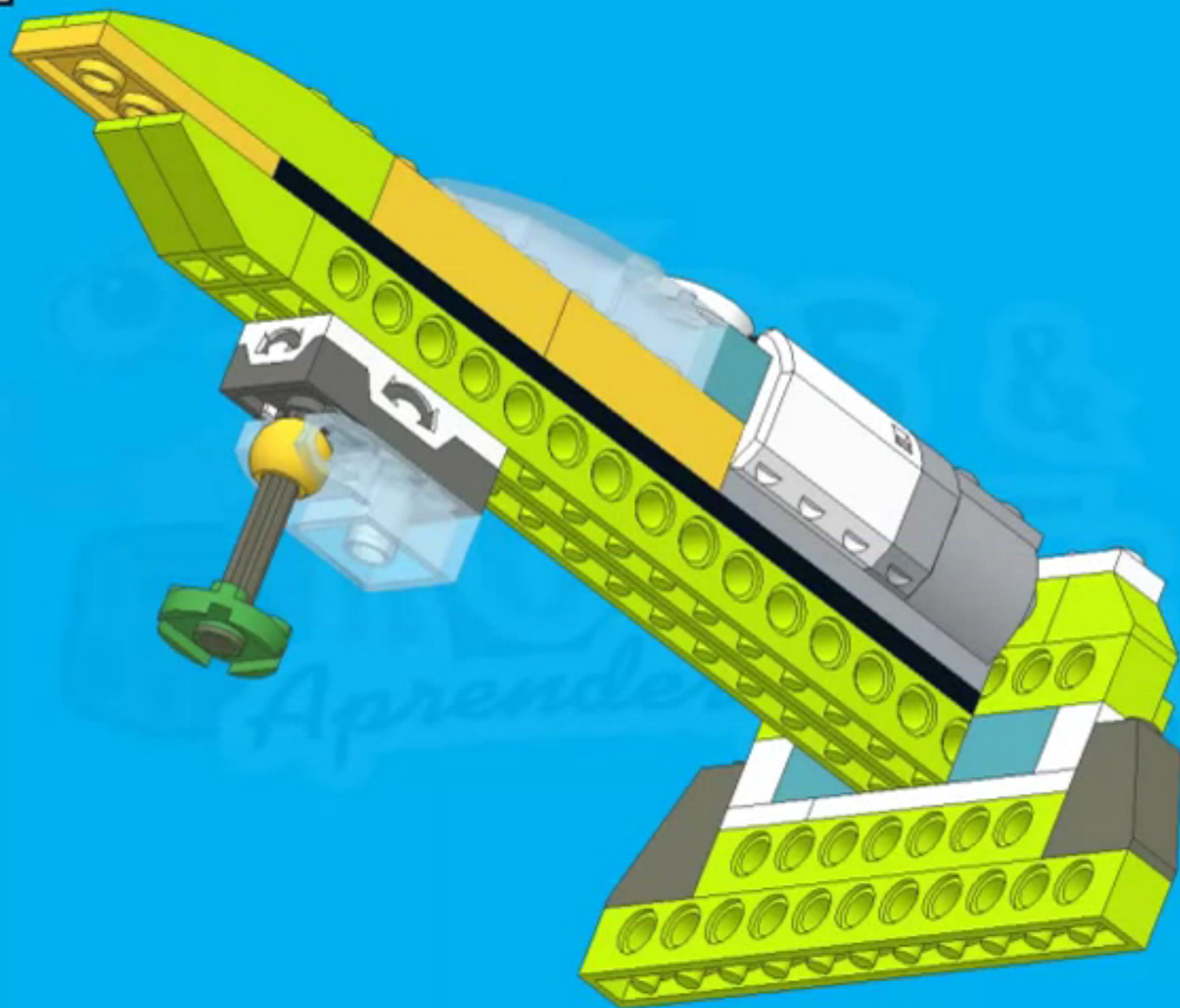


21

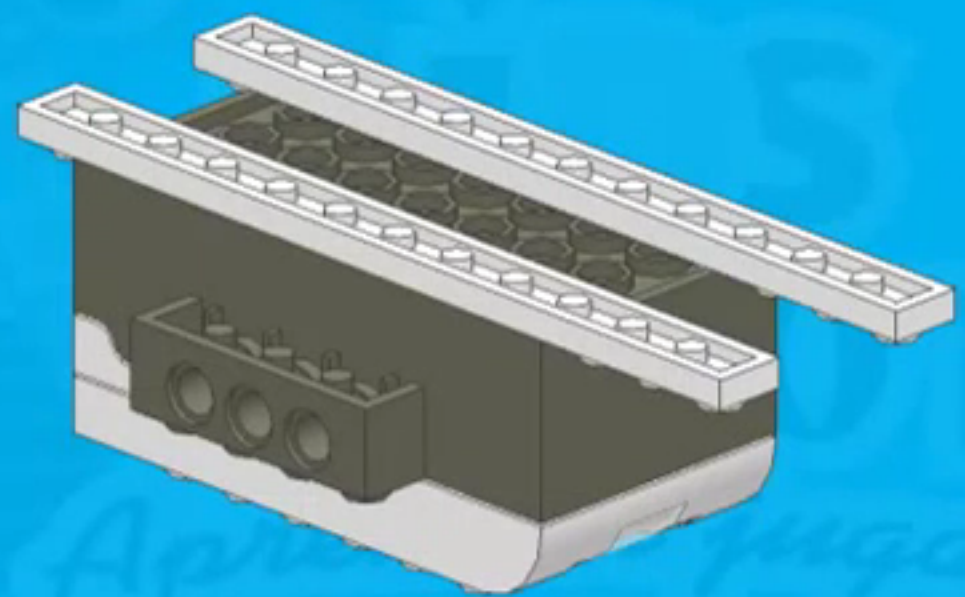
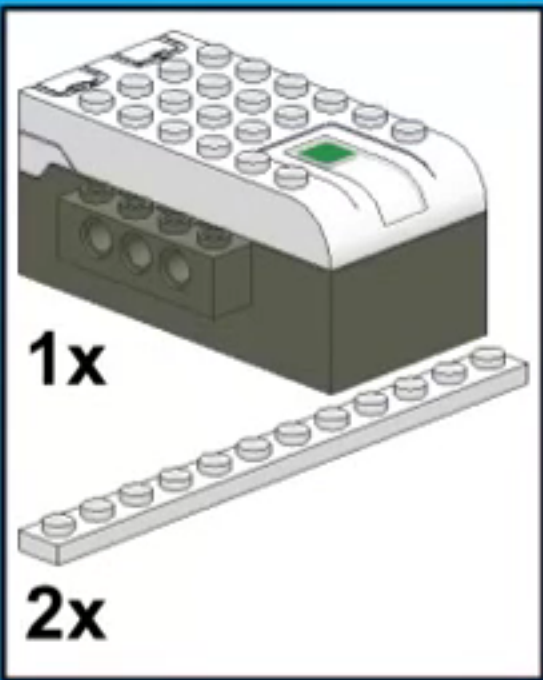


22

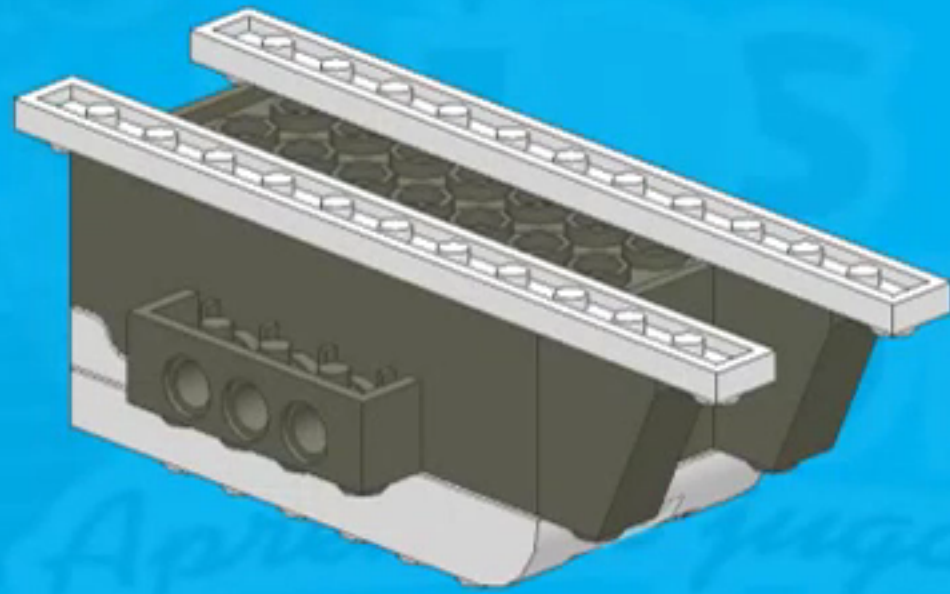
		
1x	1x	1x



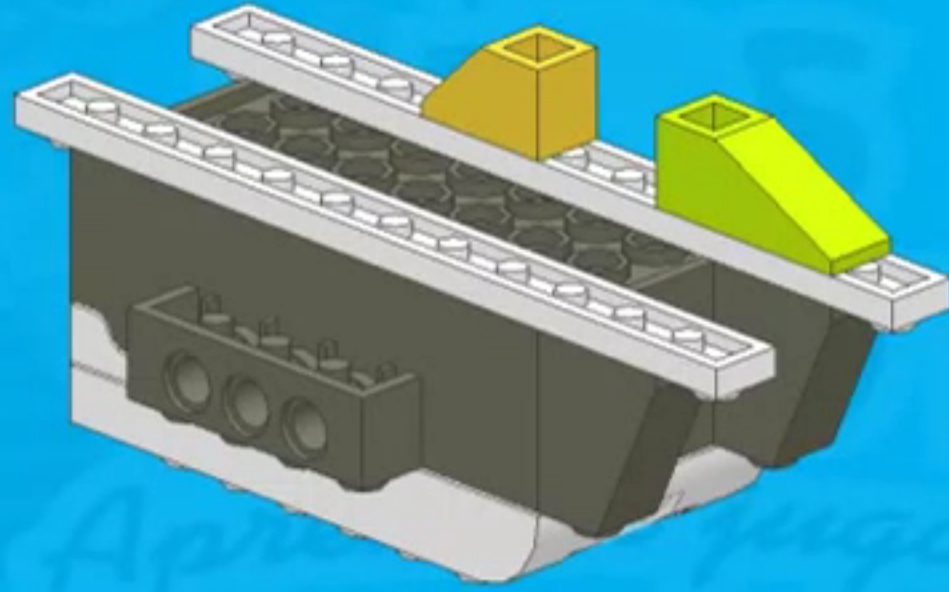
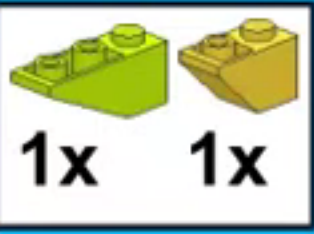
1



2

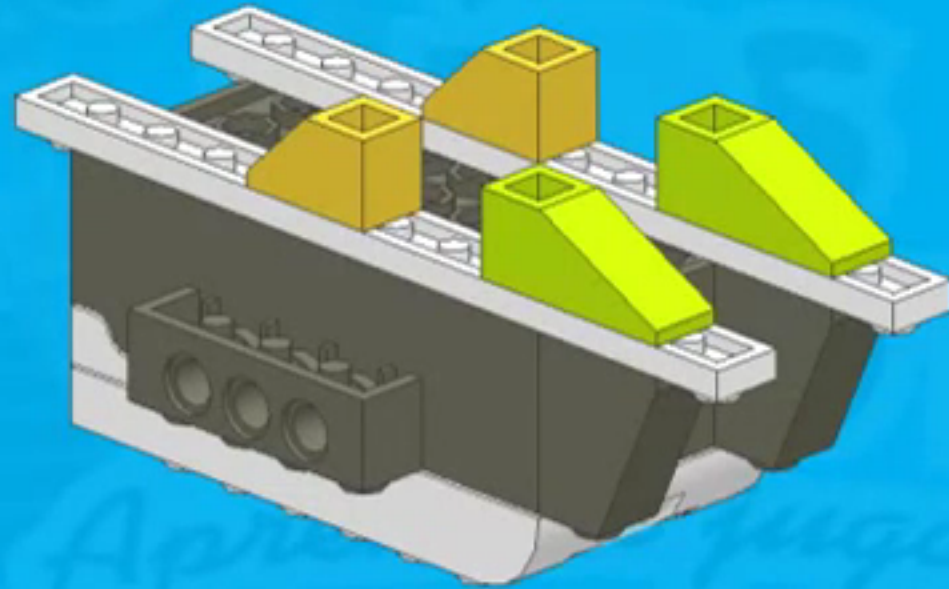


3

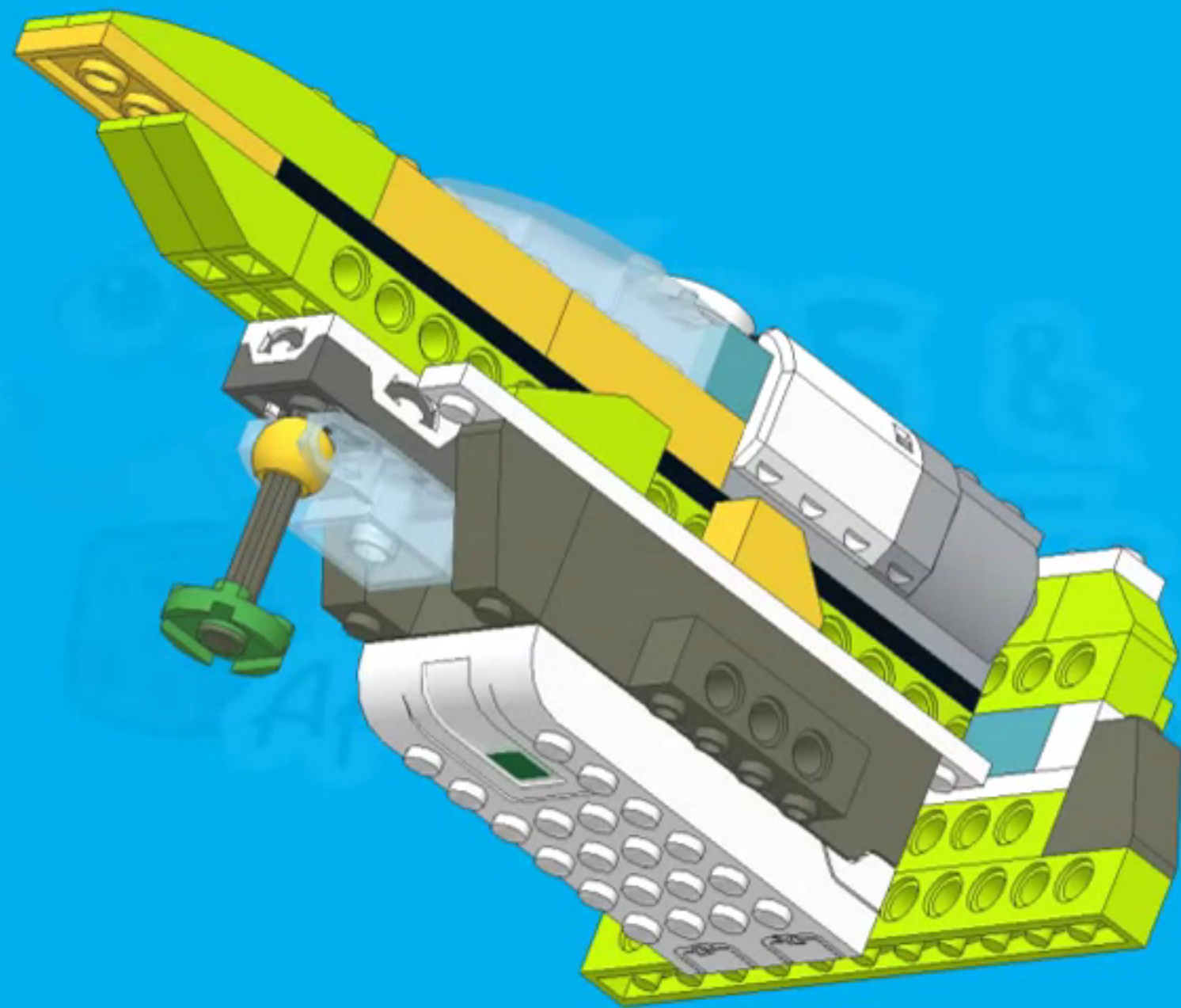


Apr 2015 Uganda

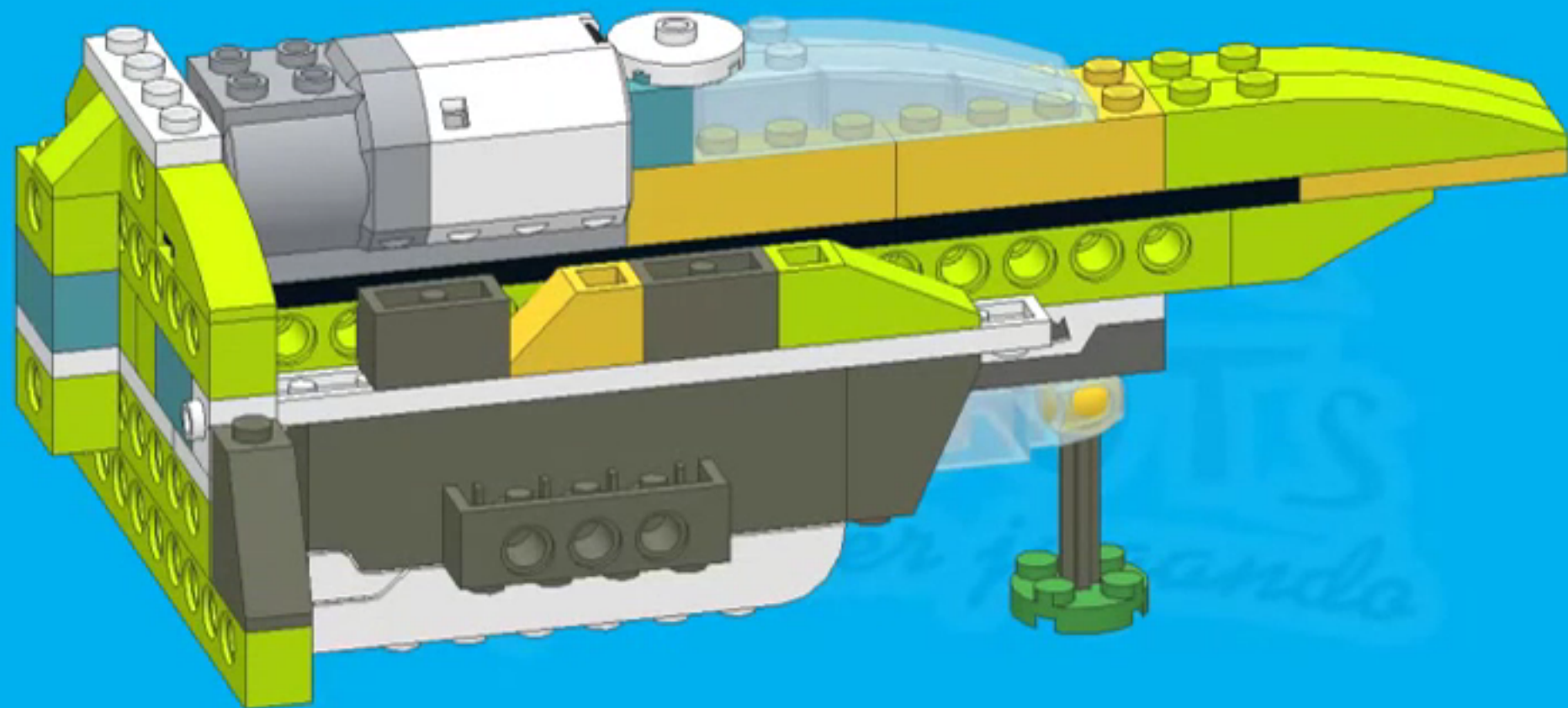
4



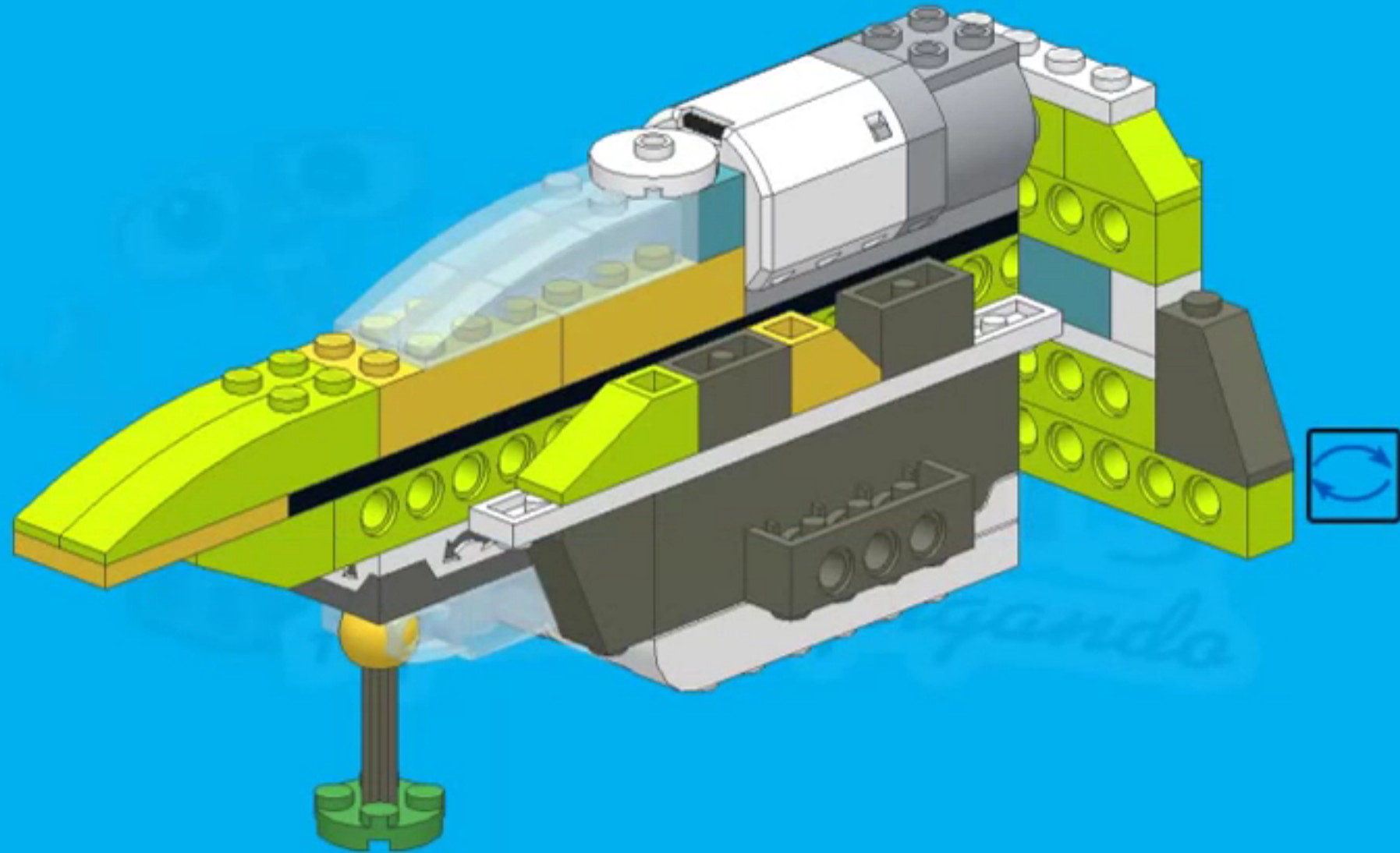
APRIL 2015
YUGANDA



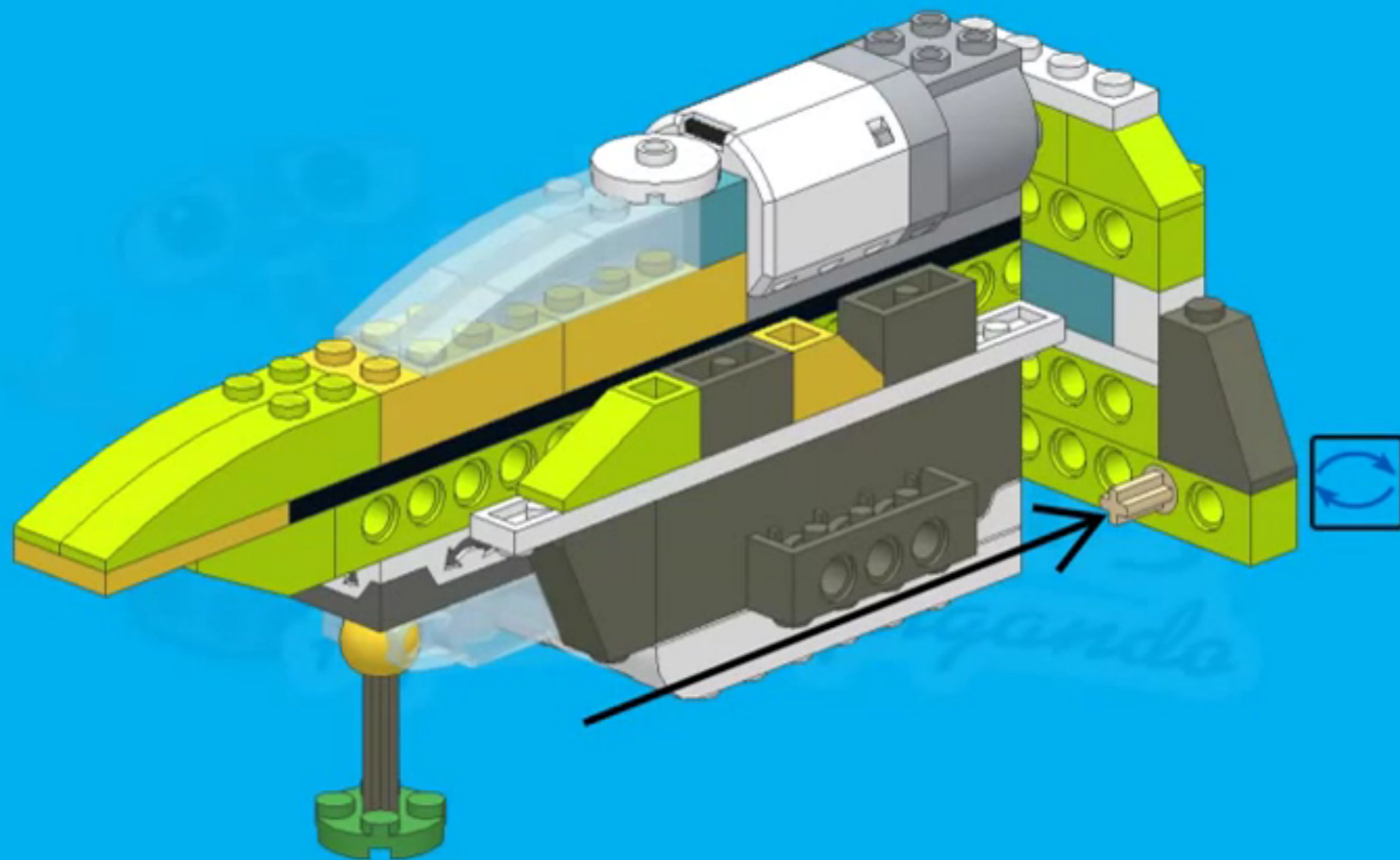
24



25



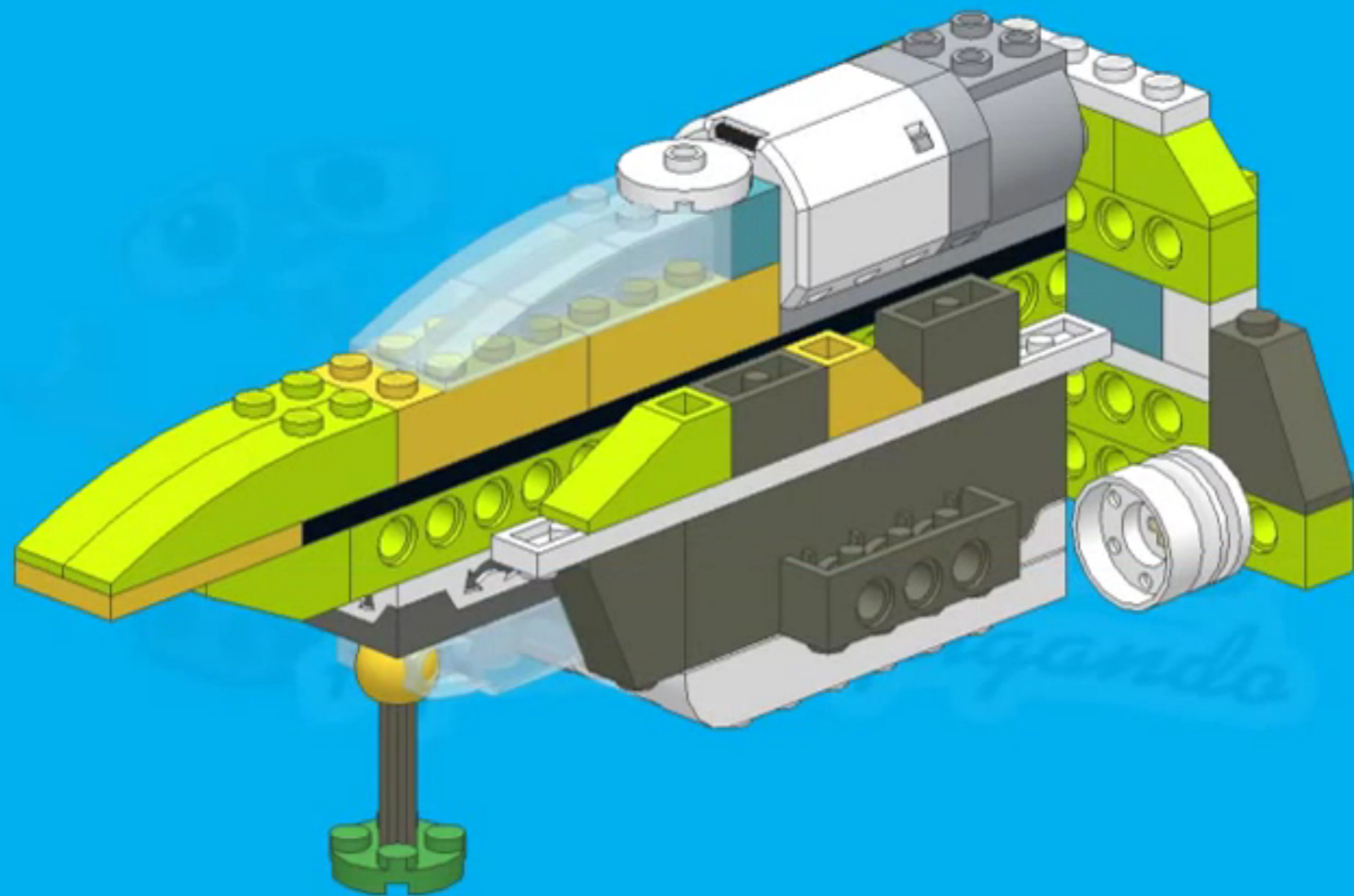
26



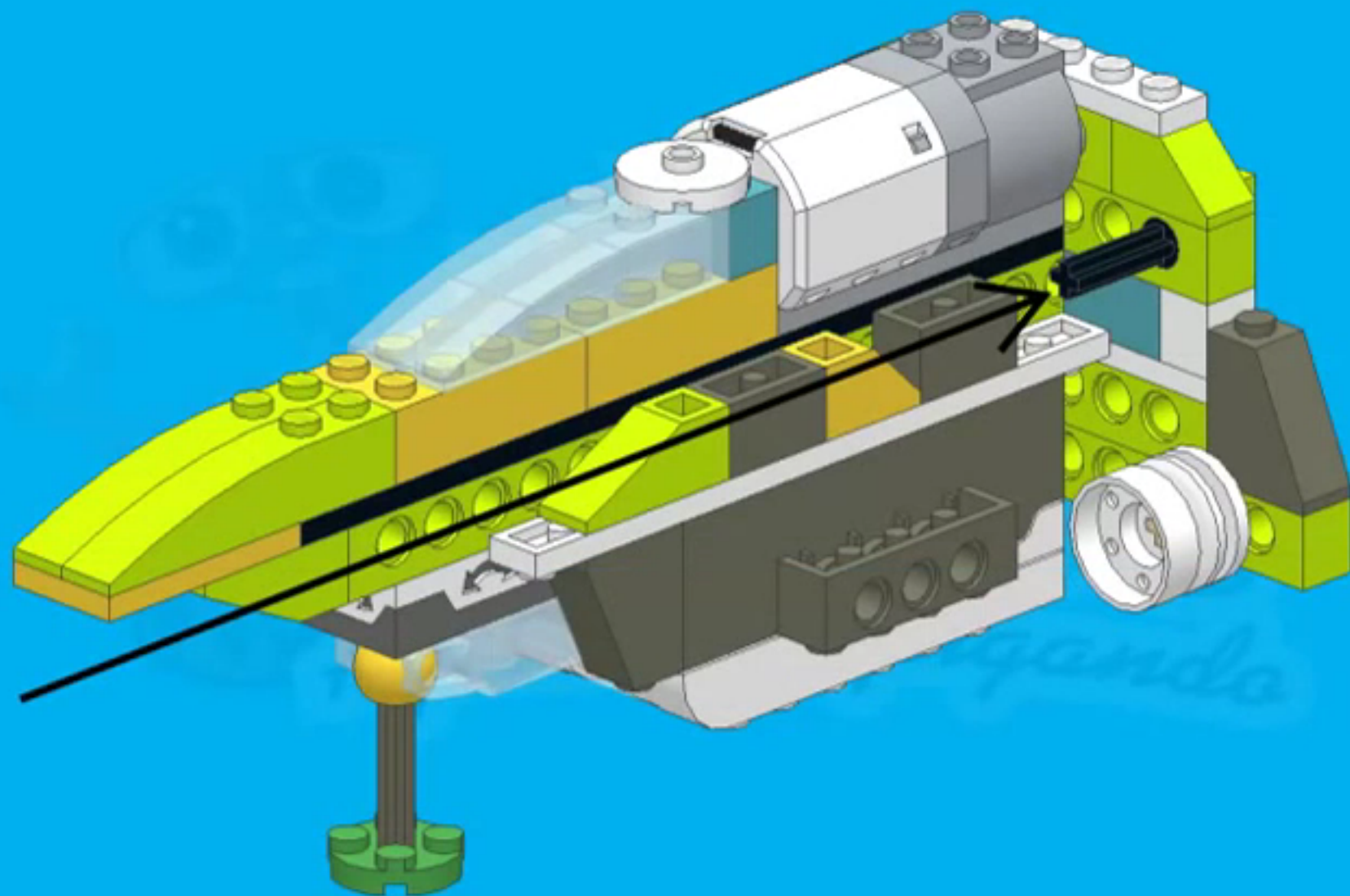
27



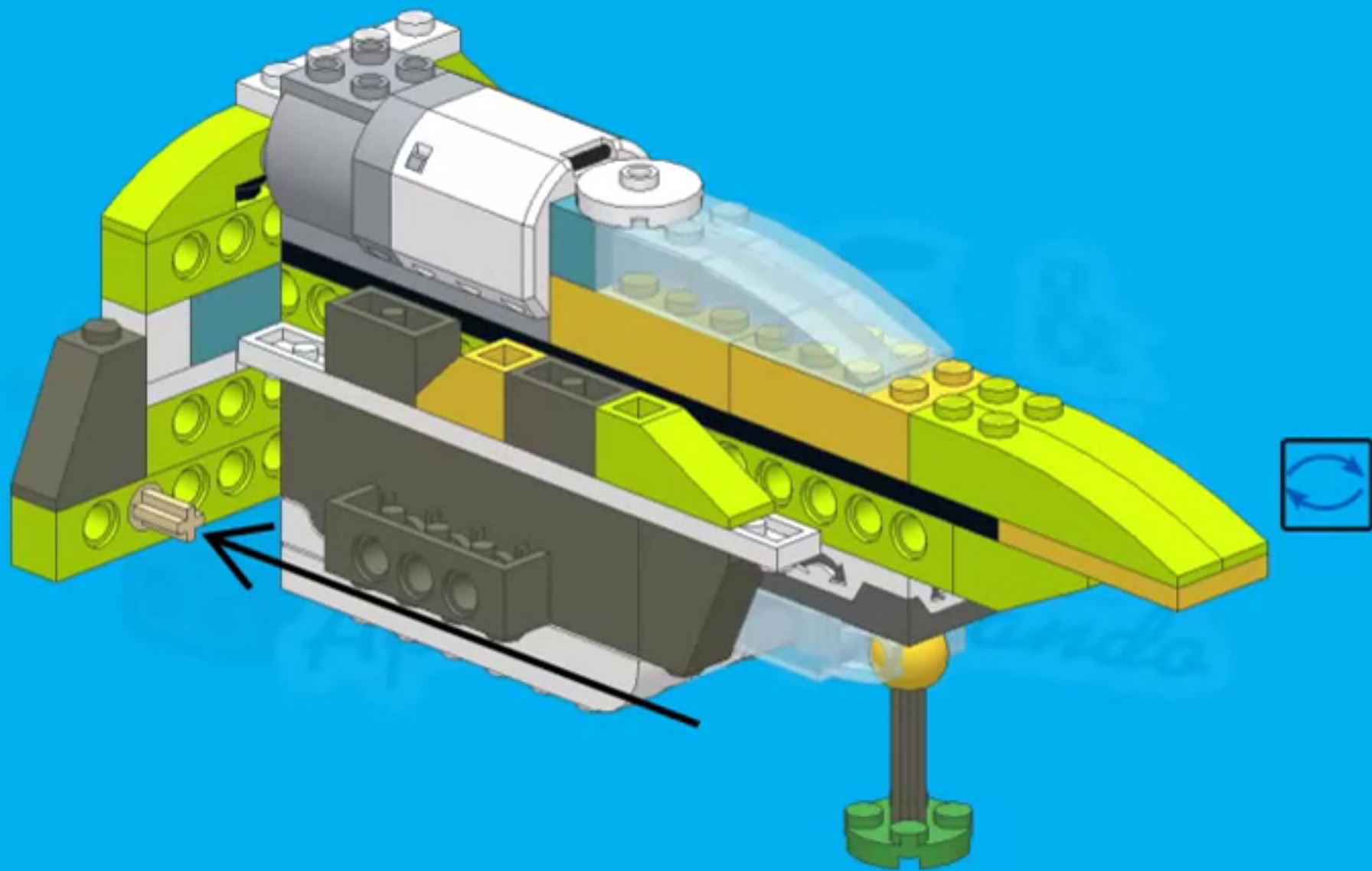
1x



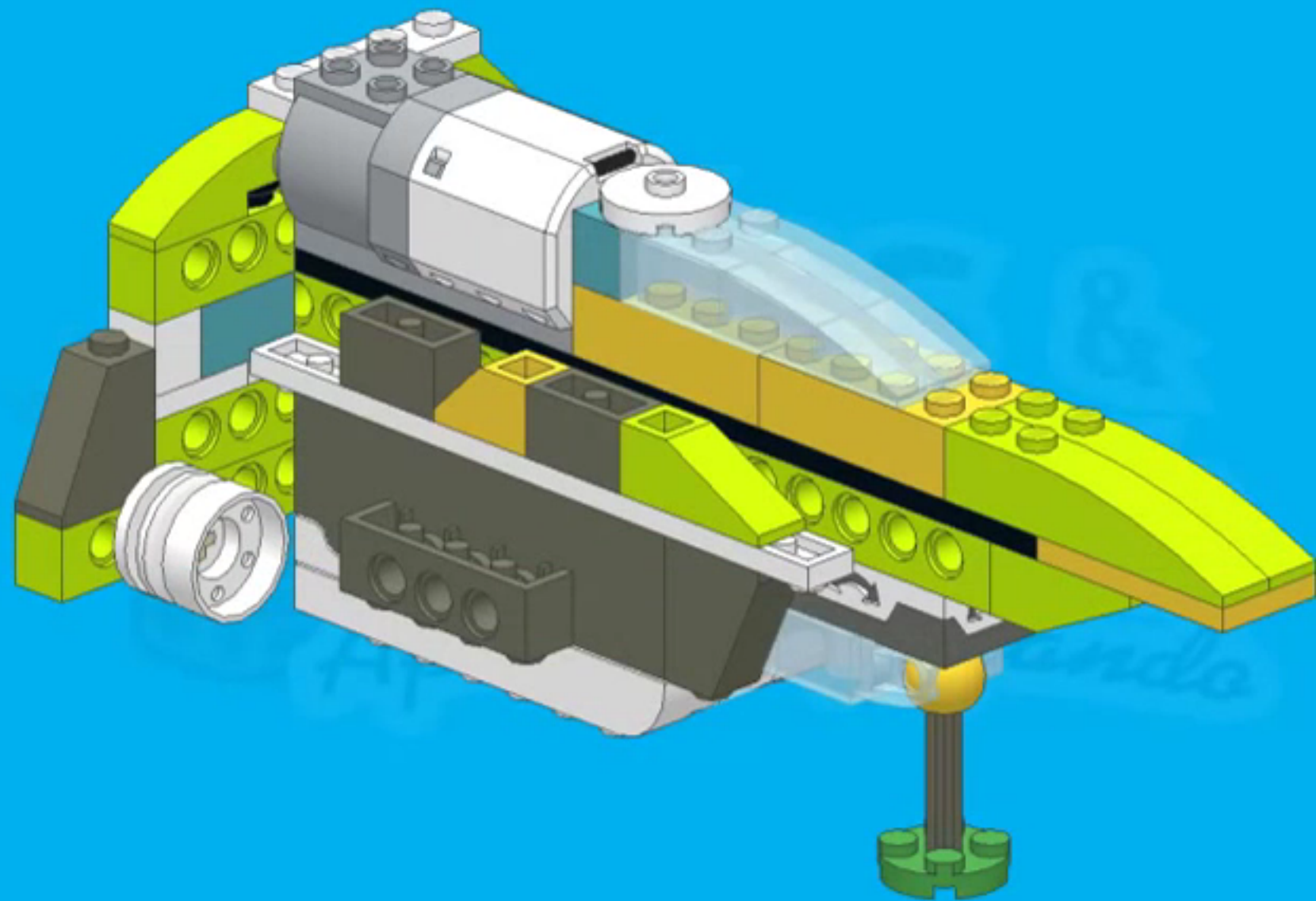
28



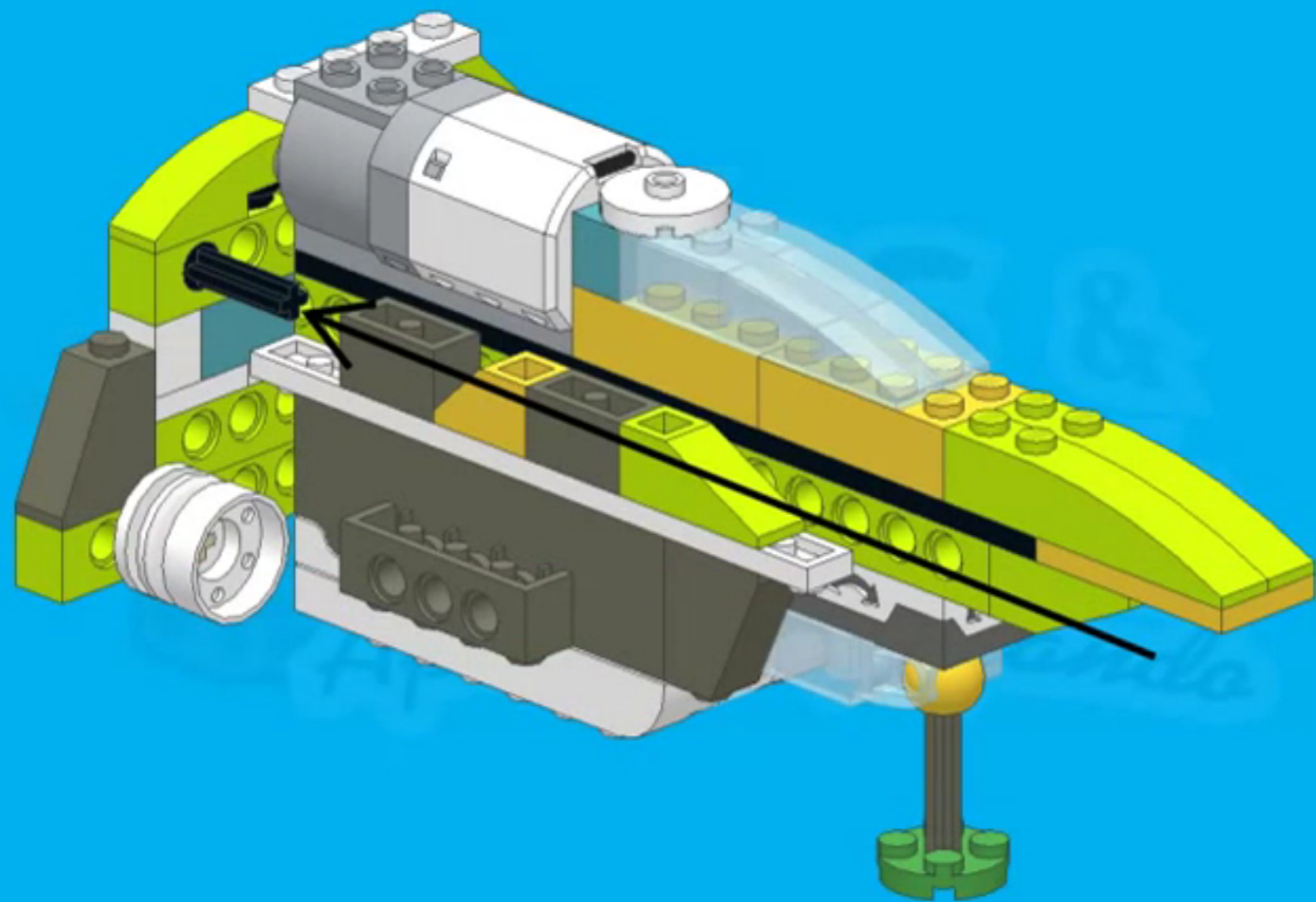
29



30

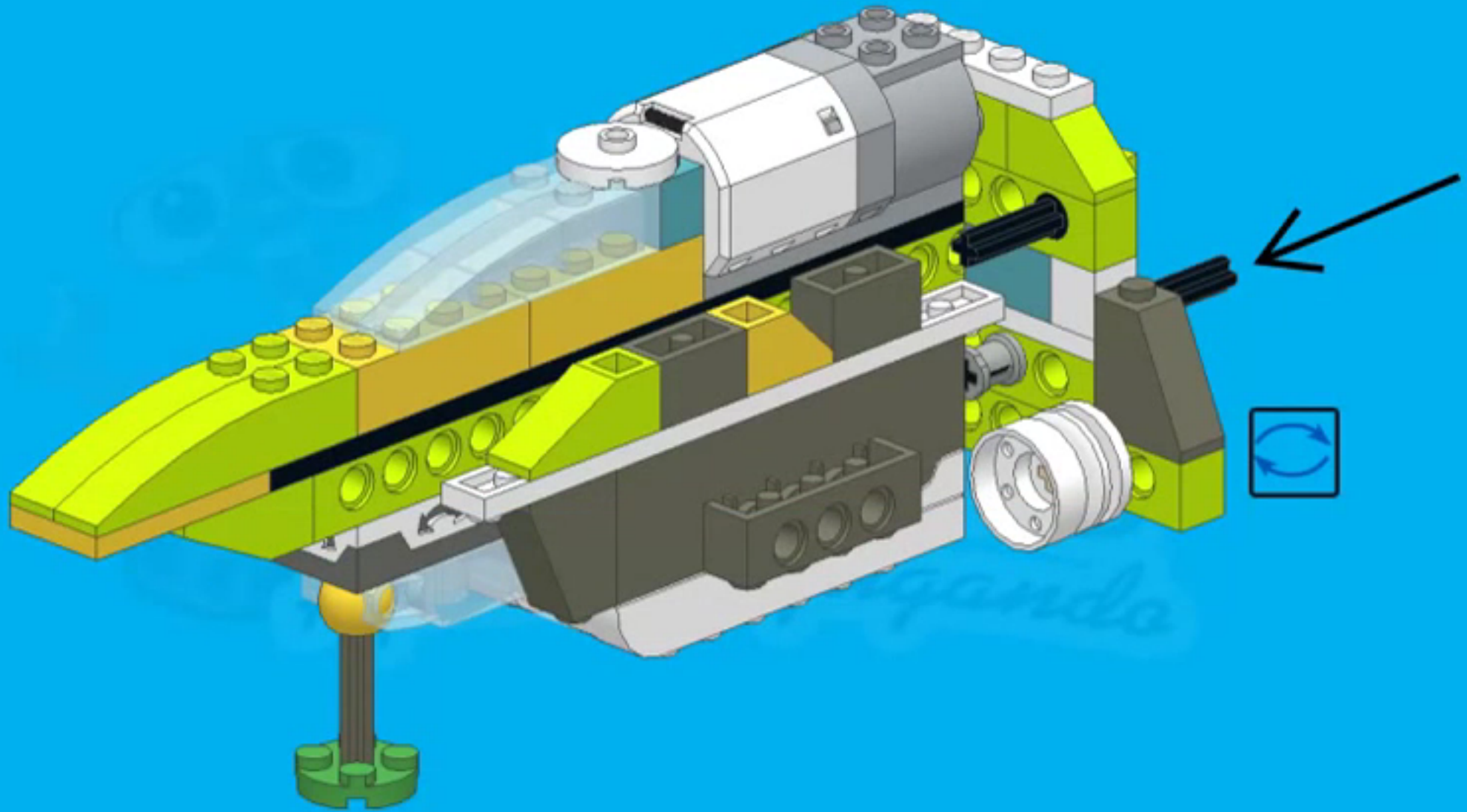


31

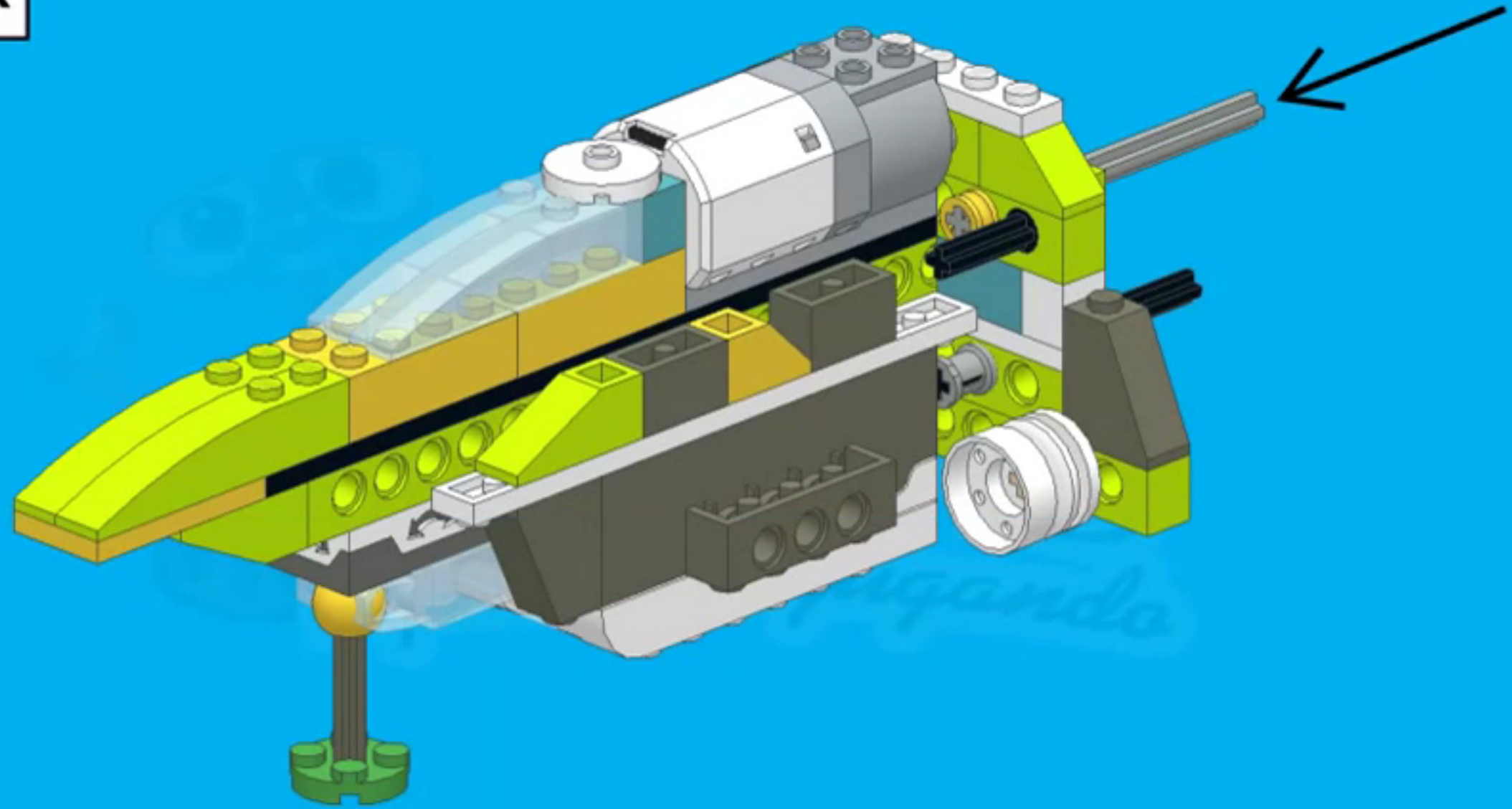


32

	
1x	6
	
1x	



33

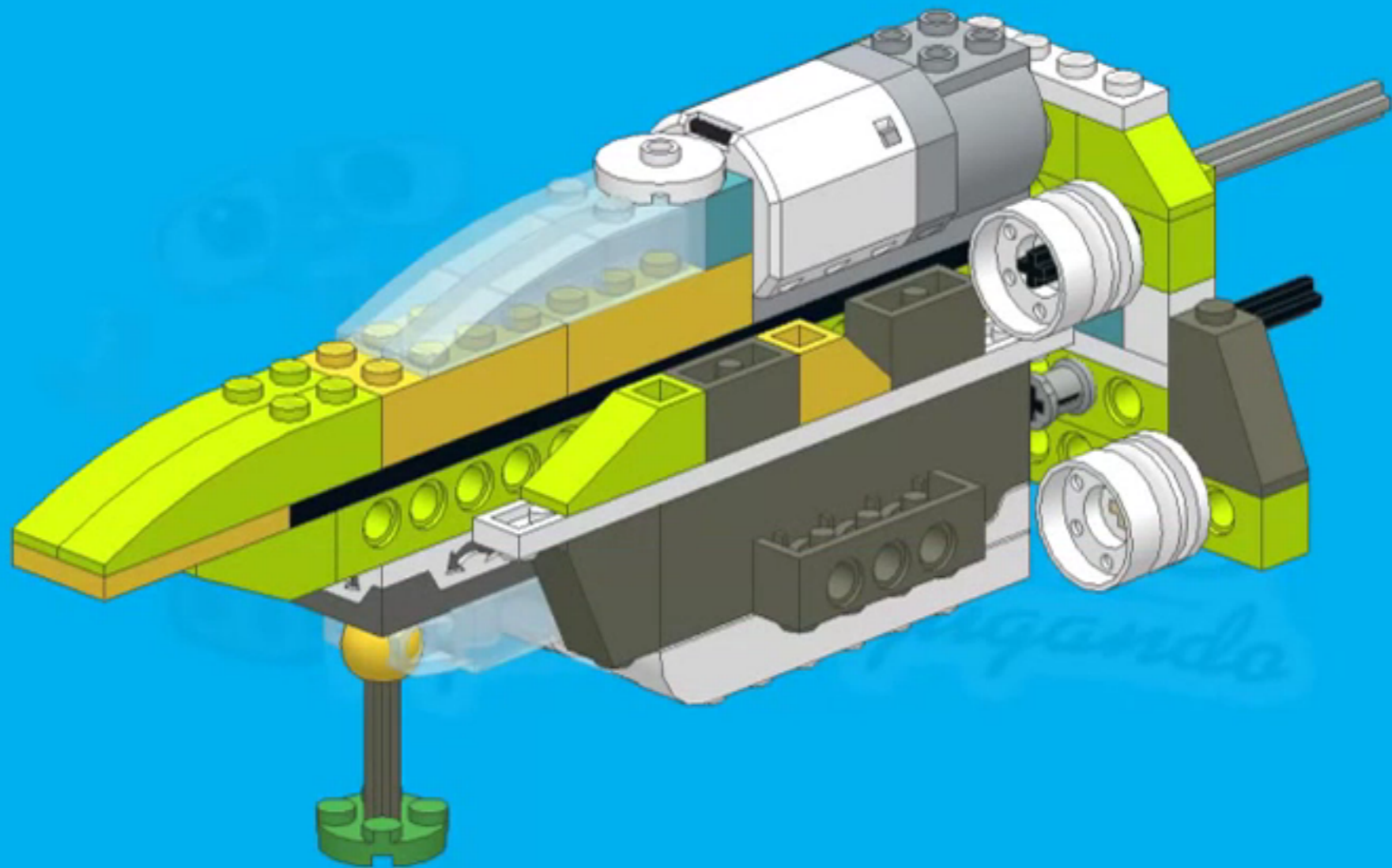


34

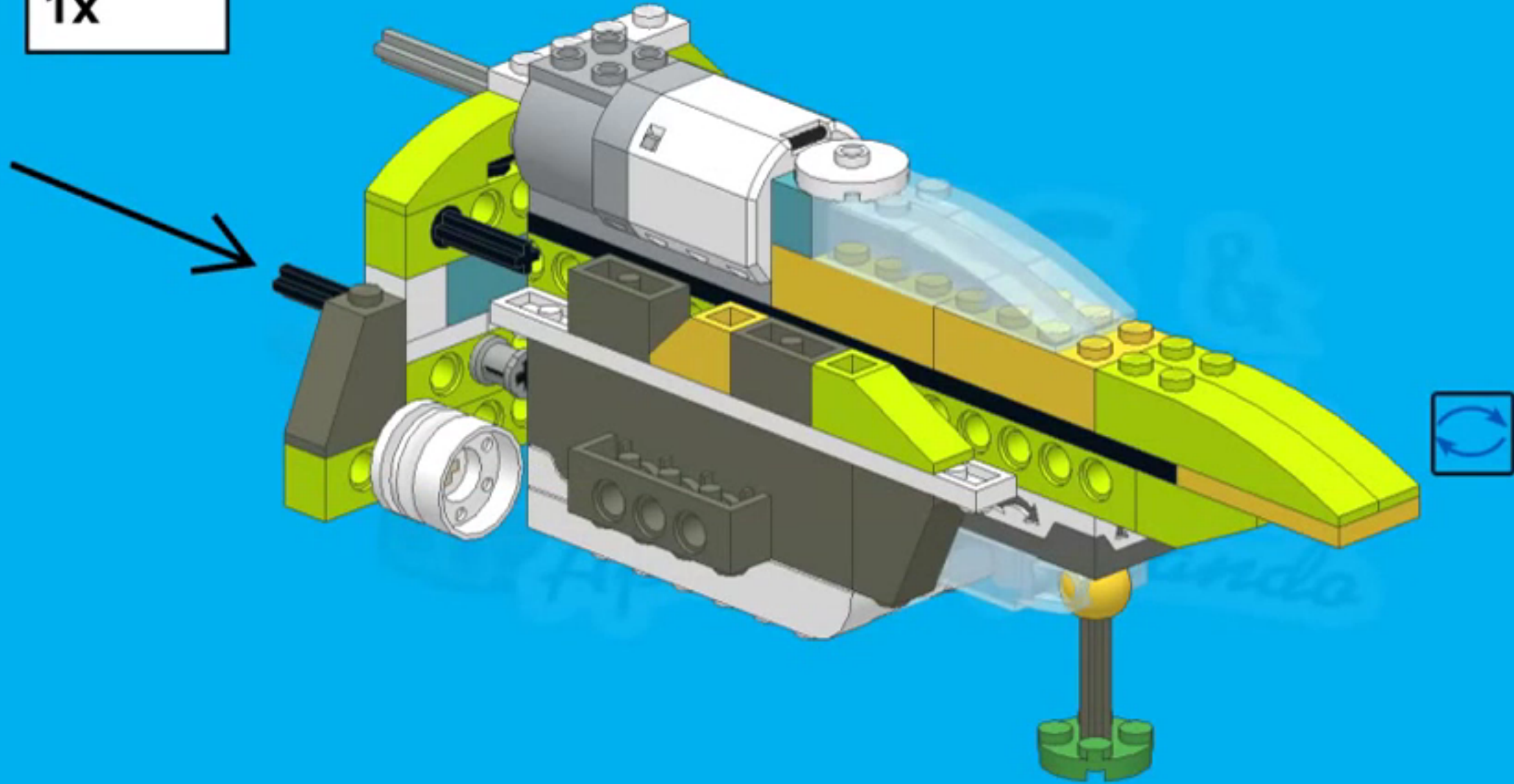
14x18



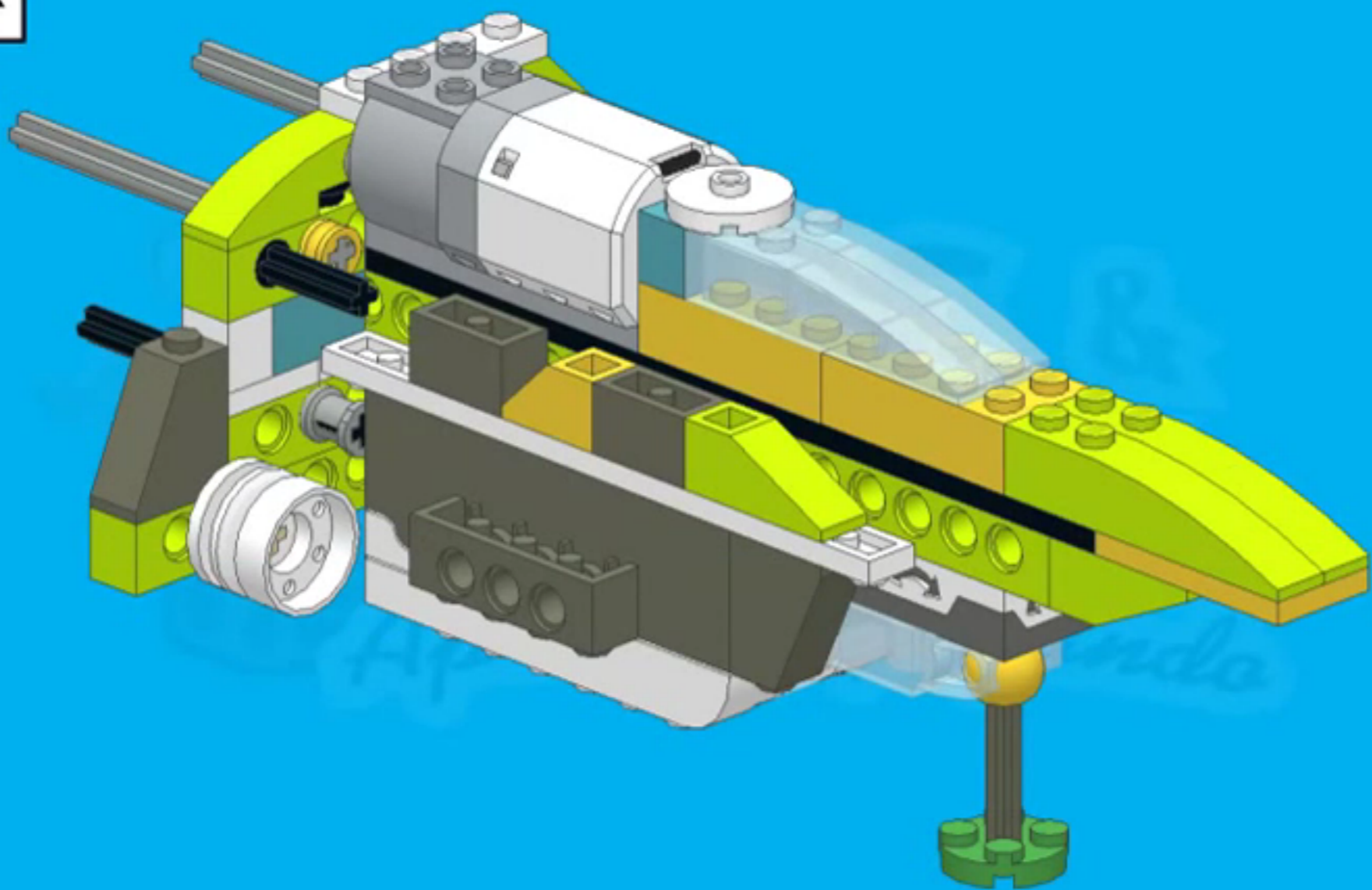
1x



35



36

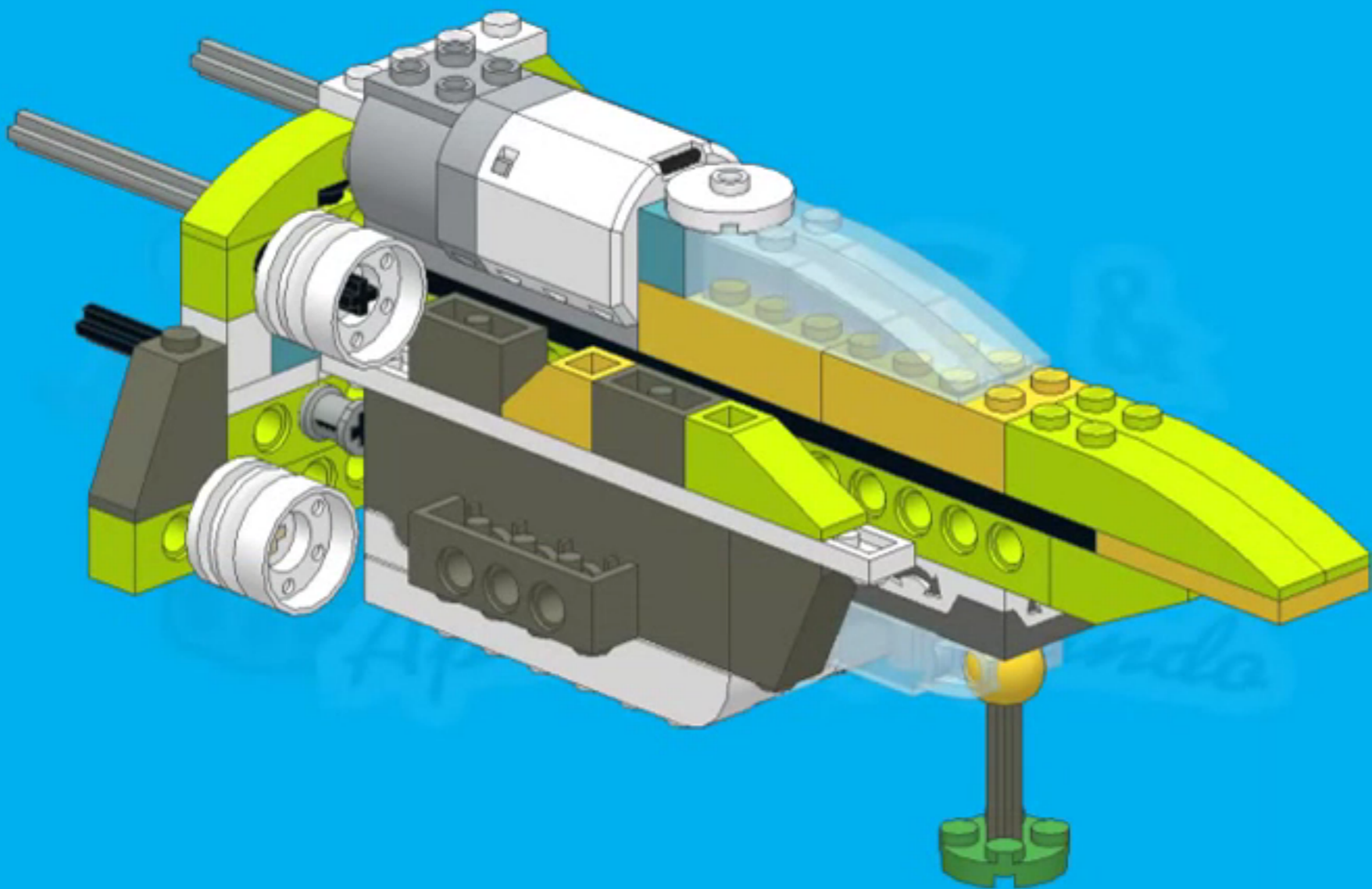


37

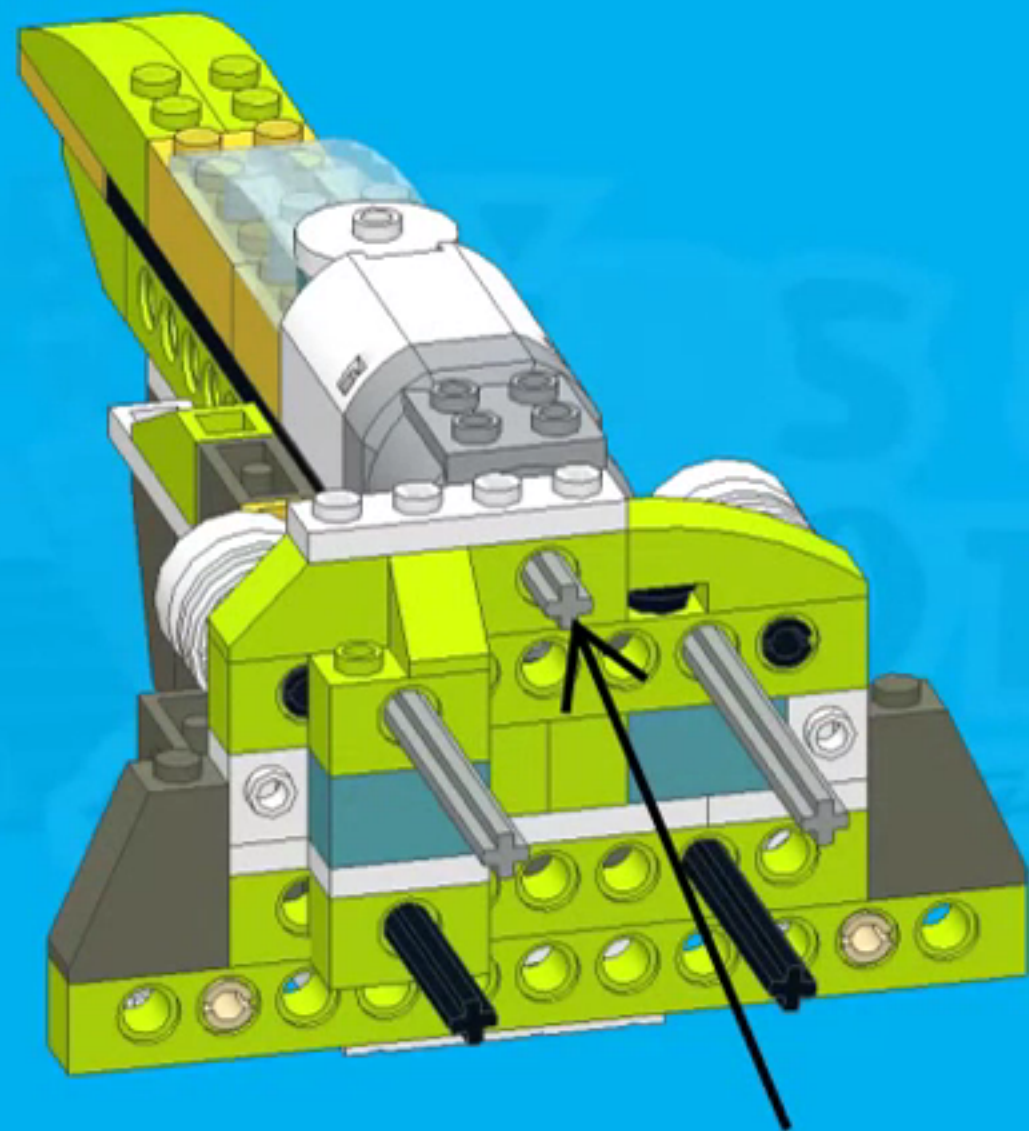
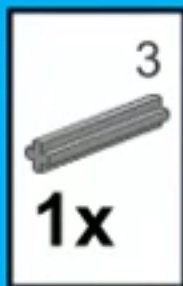
14x18



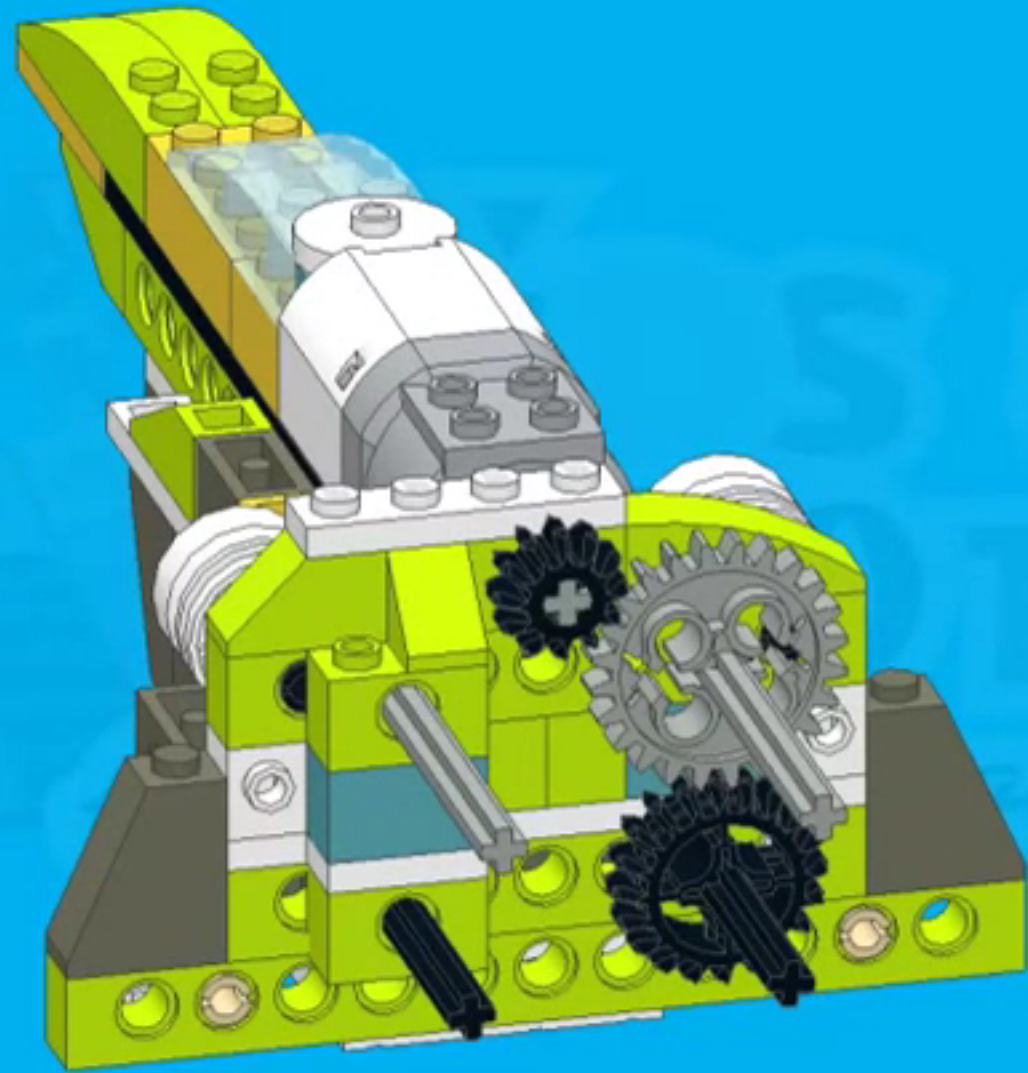
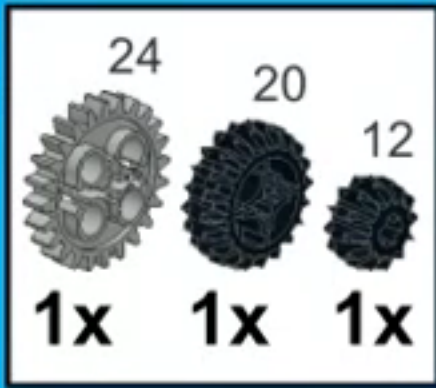
1x



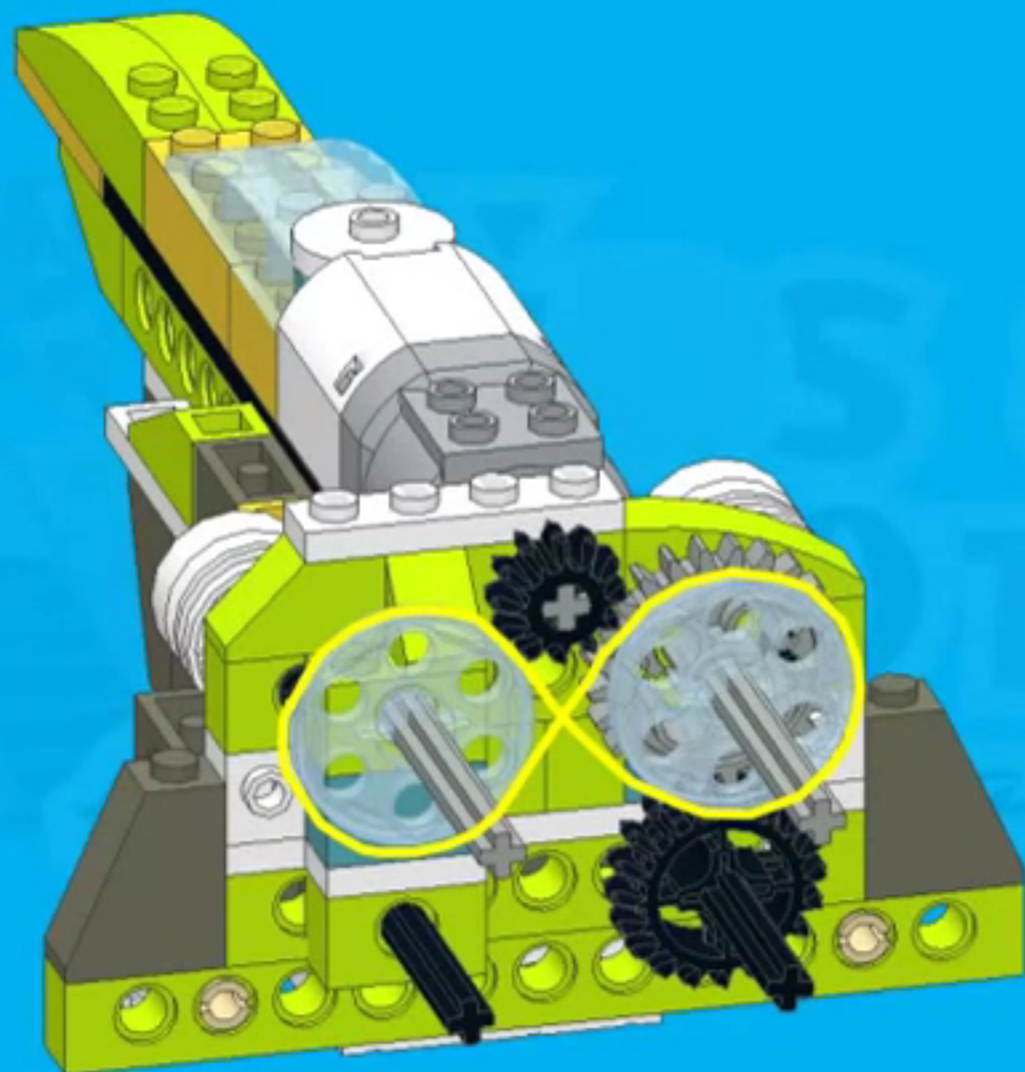
38



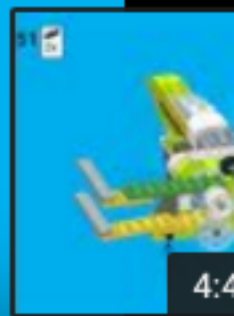
39



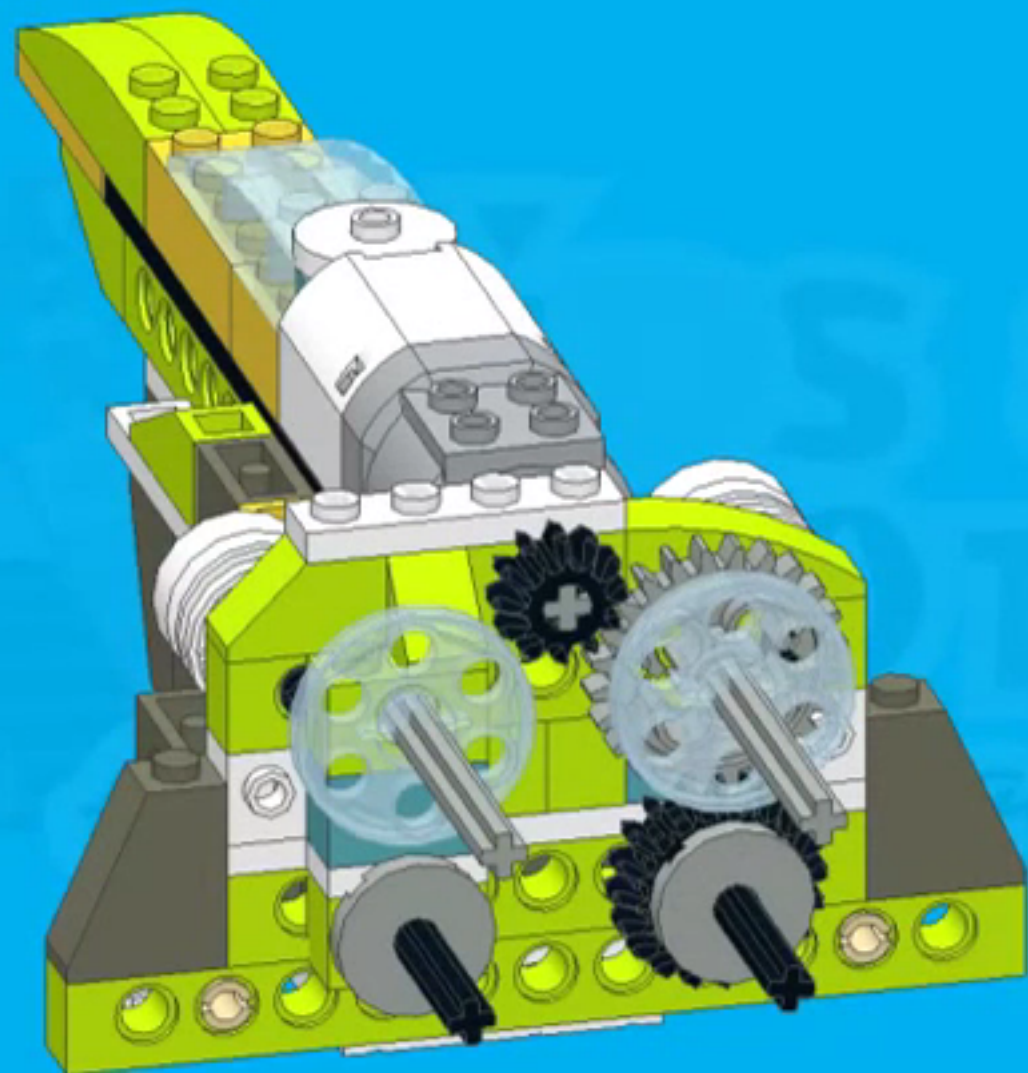
40



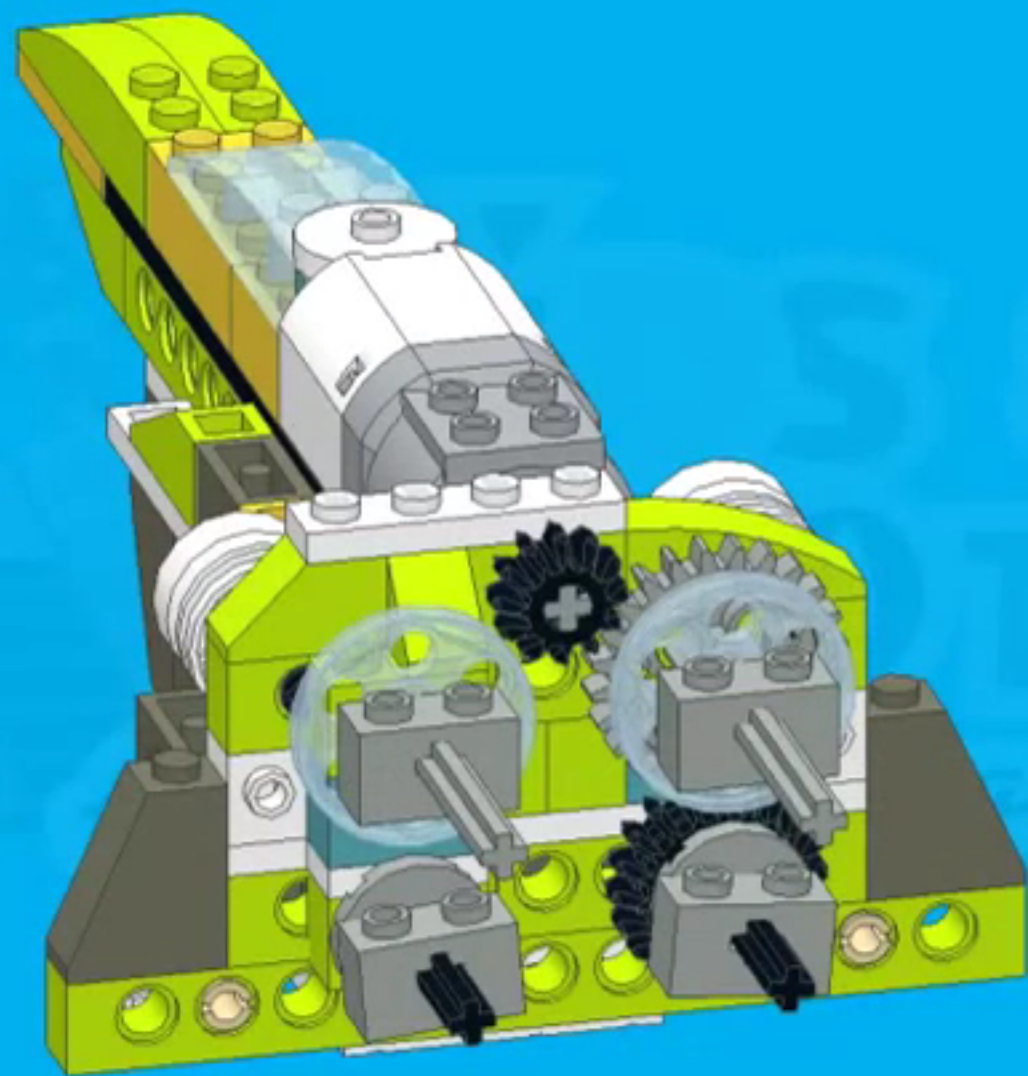
Place the yellow rubber
as seen in the picture



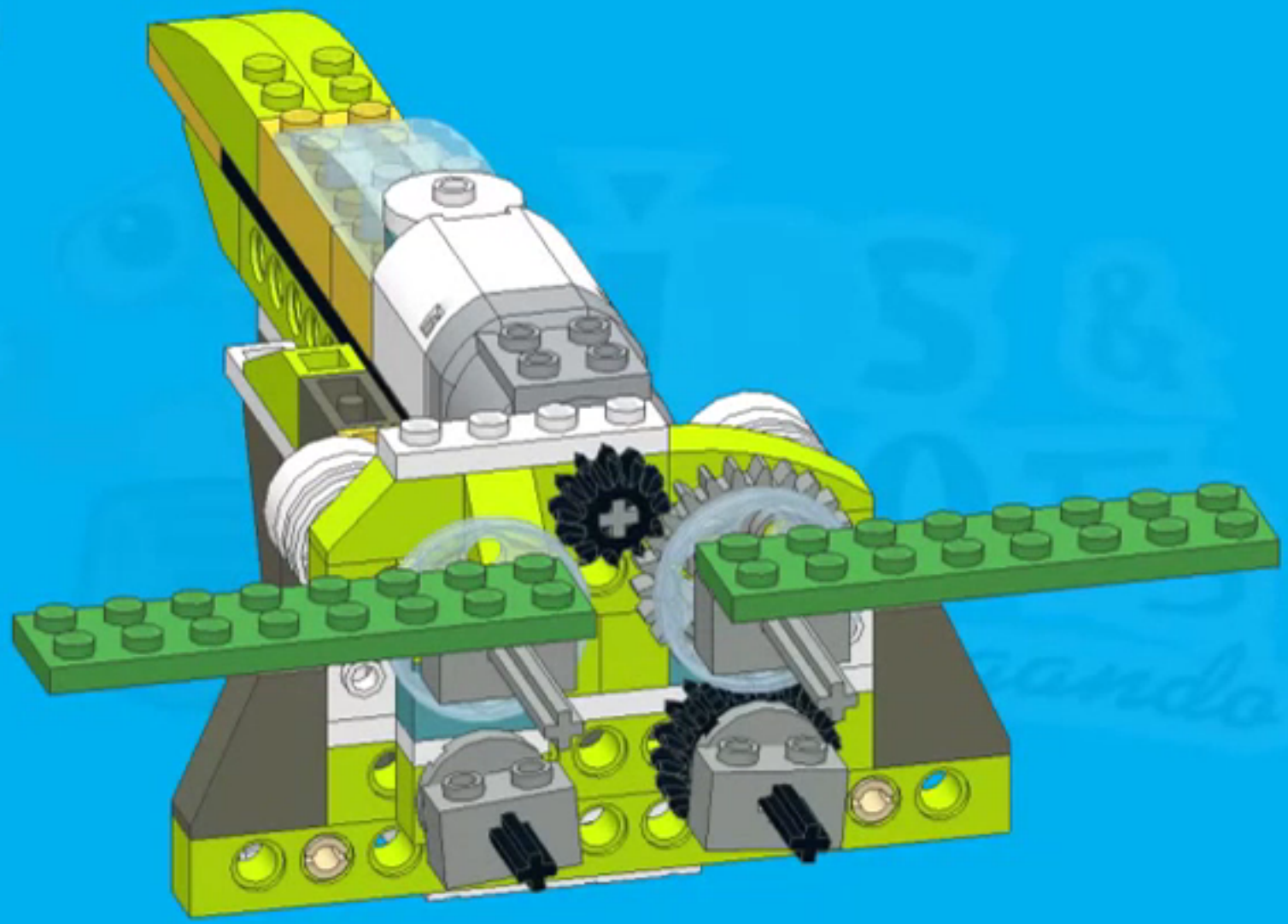
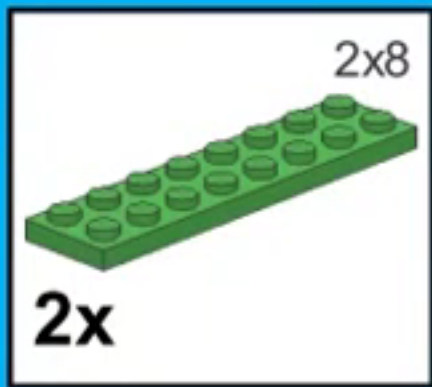
41



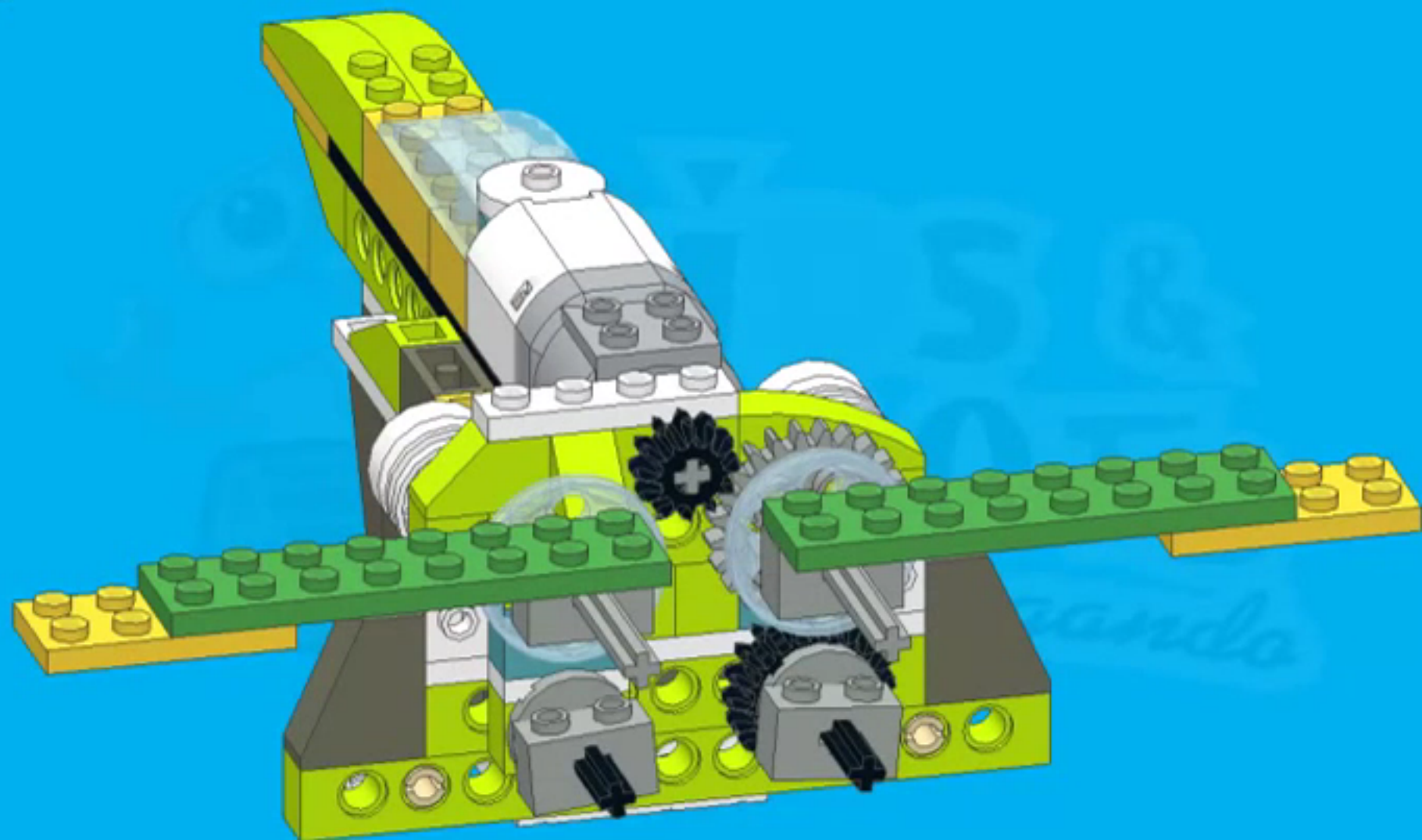
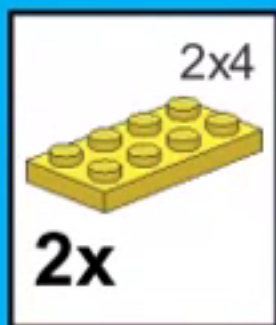
42



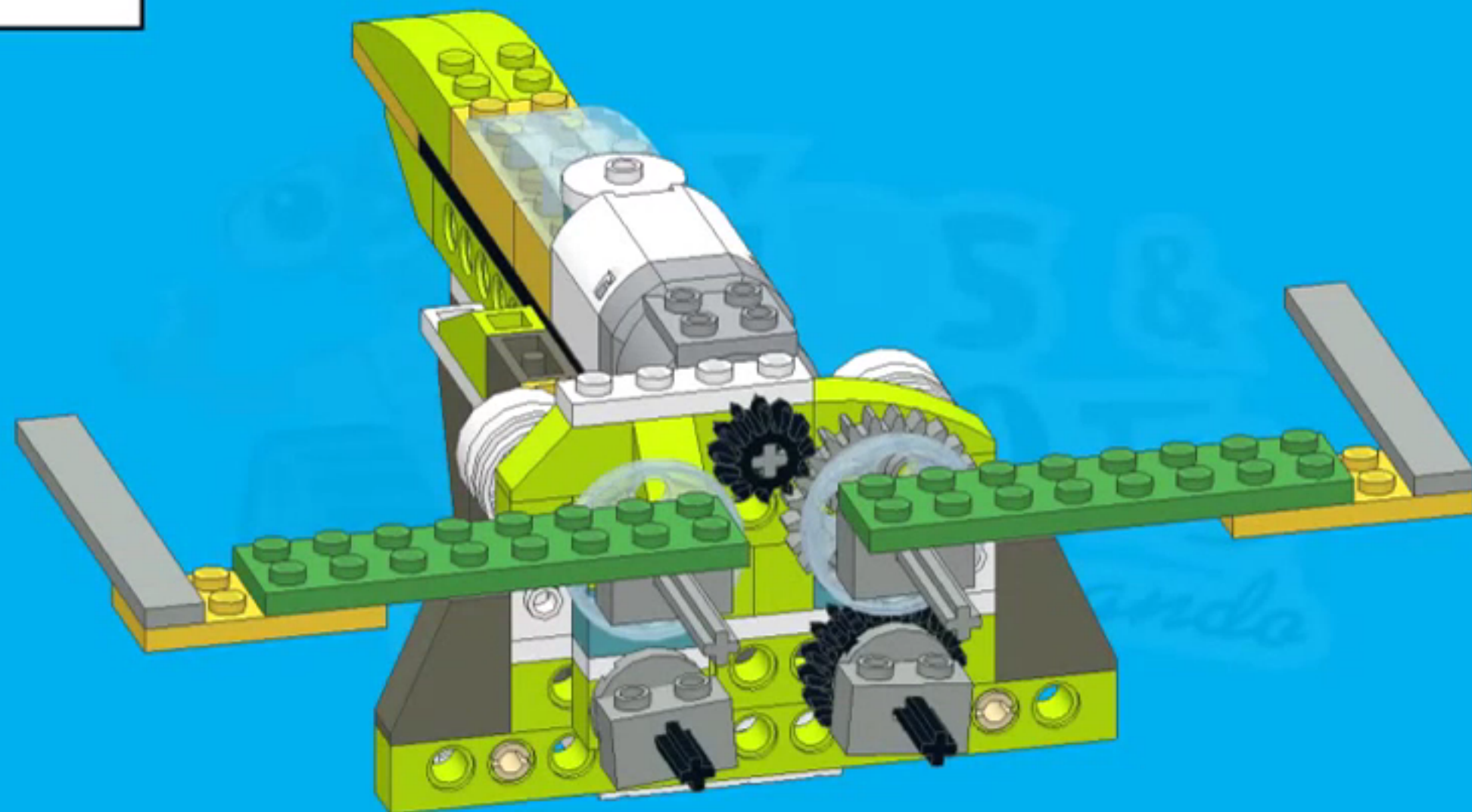
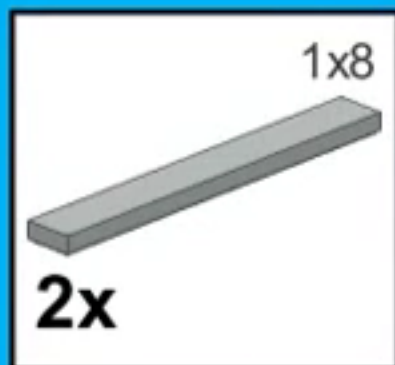
43



44

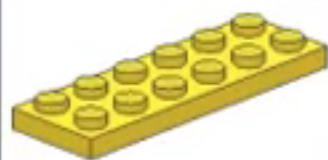


45

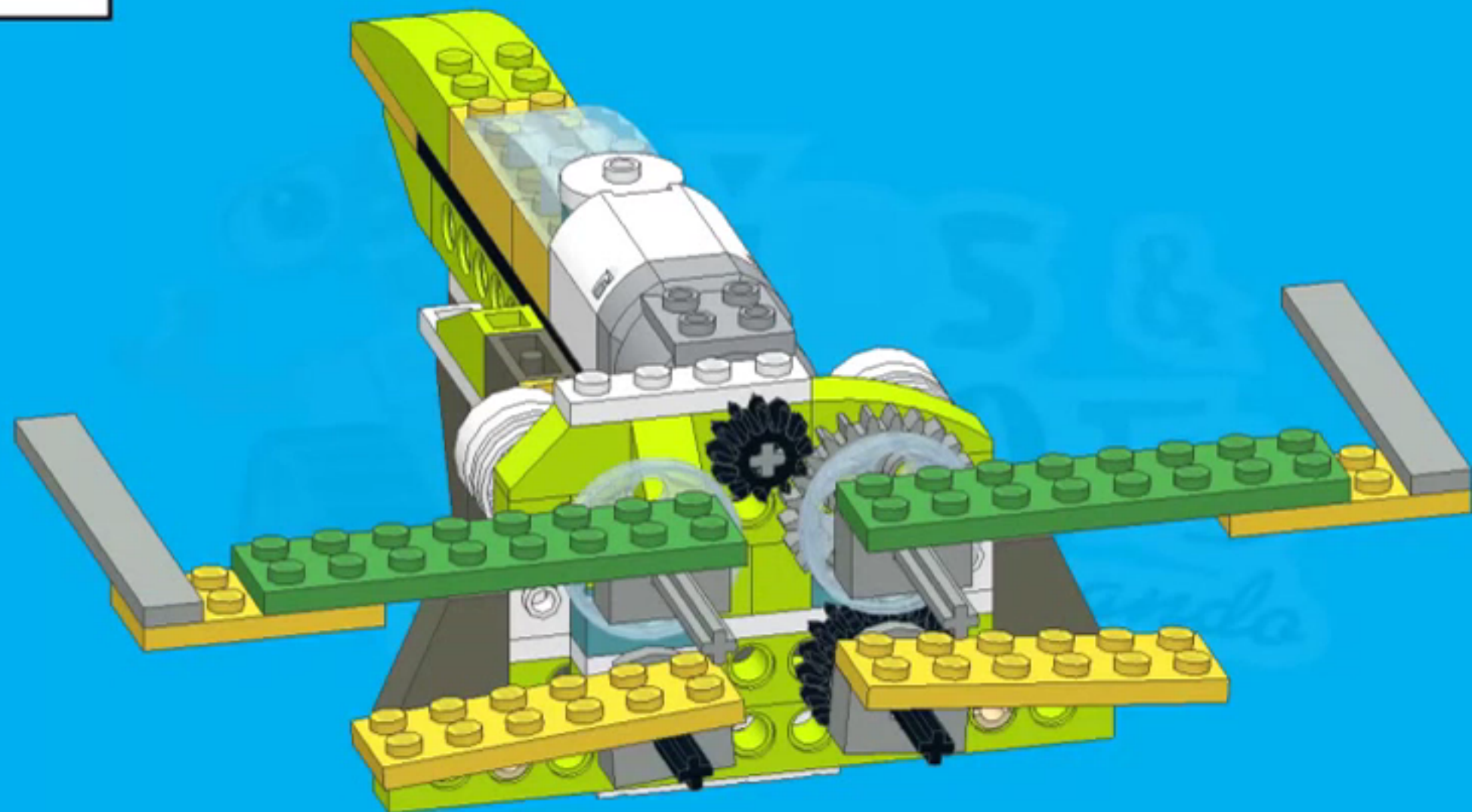


46

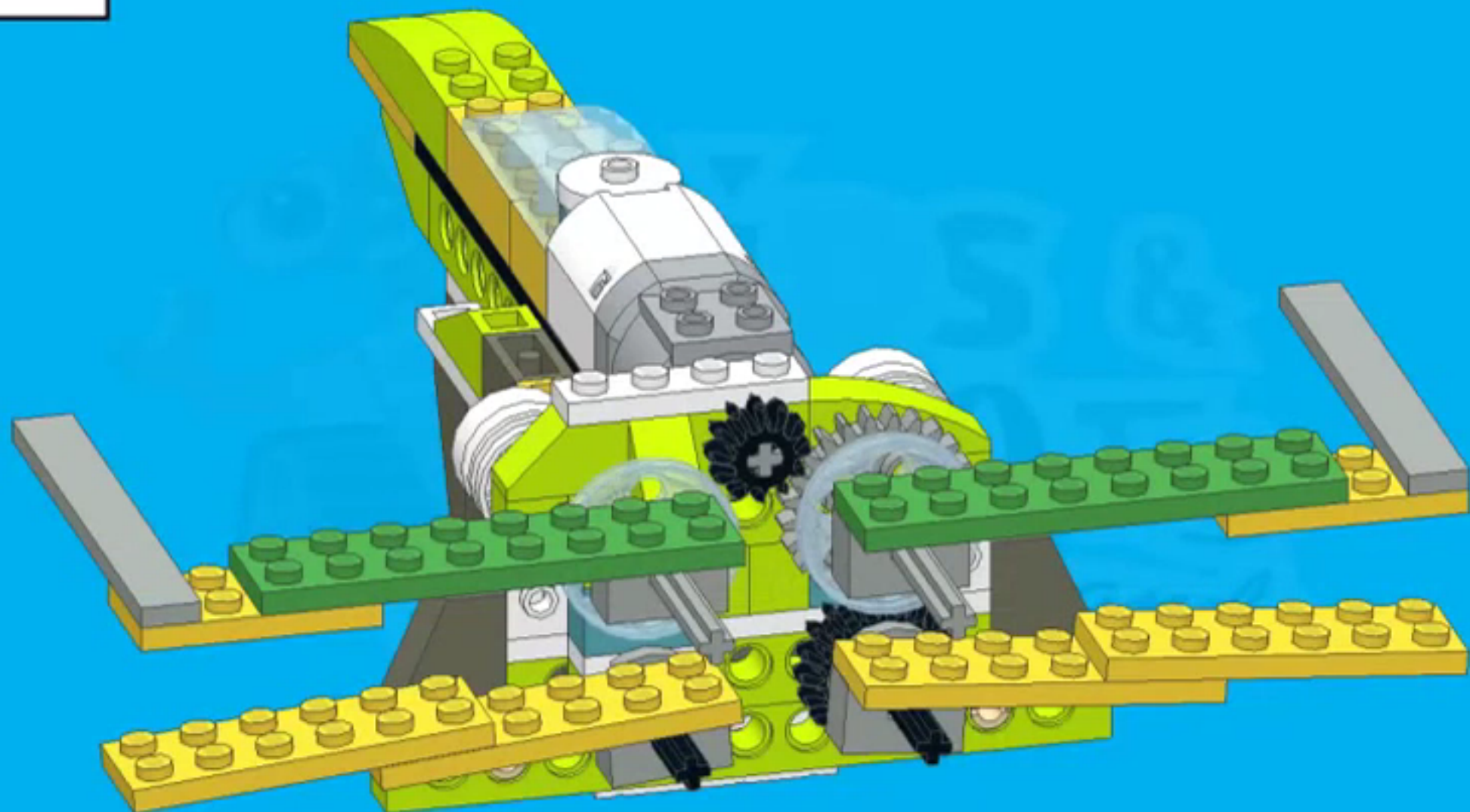
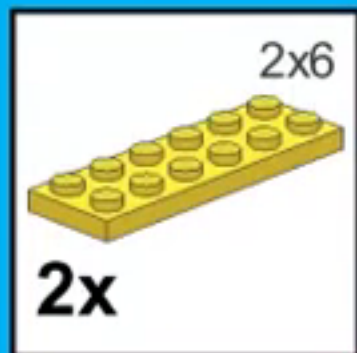
2x6



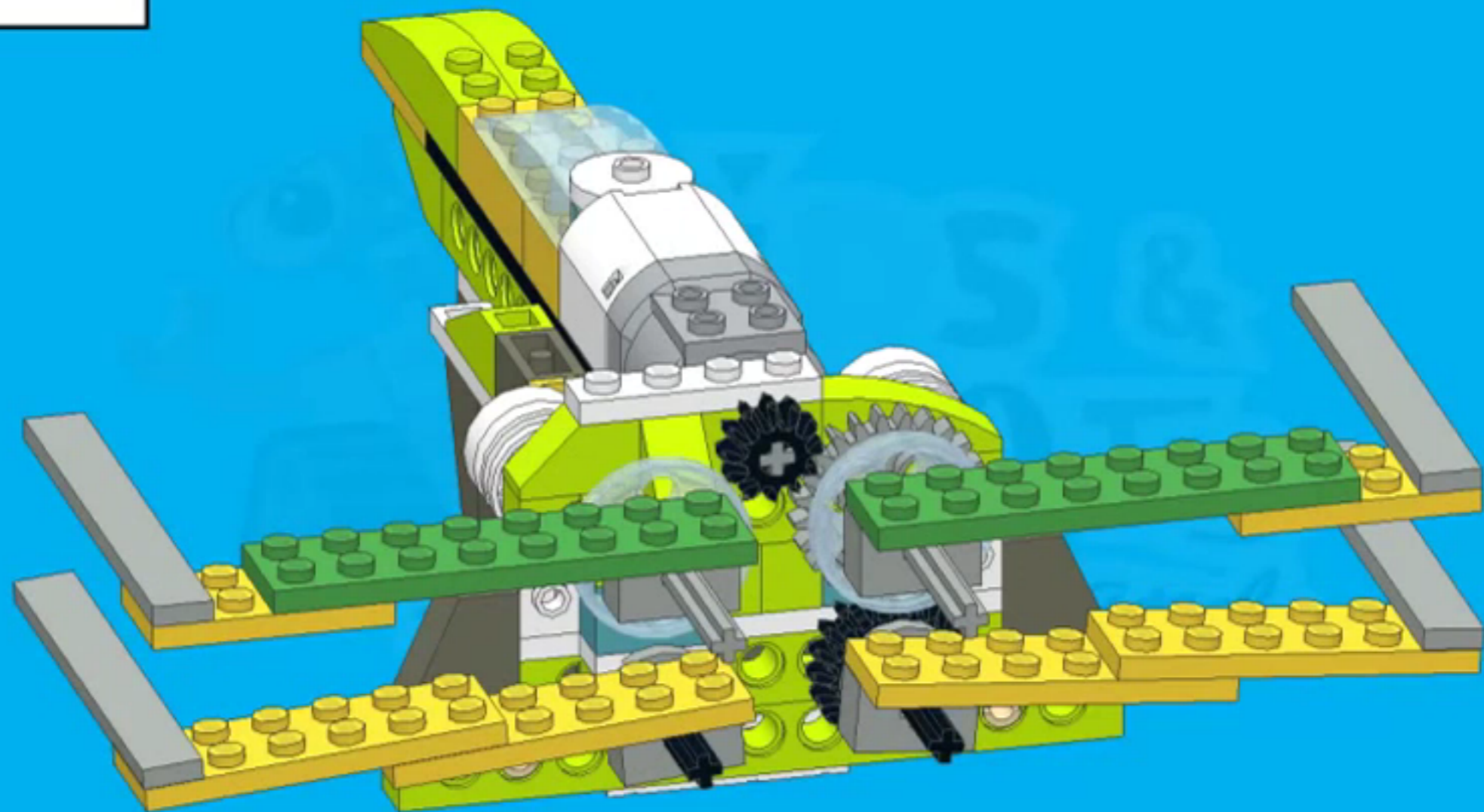
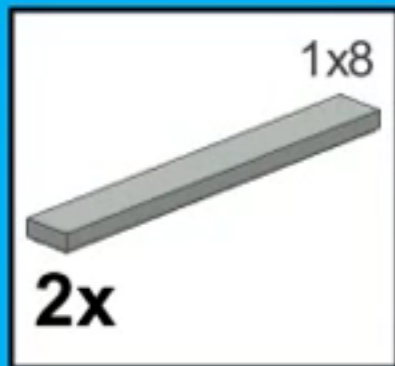
2x



47



48

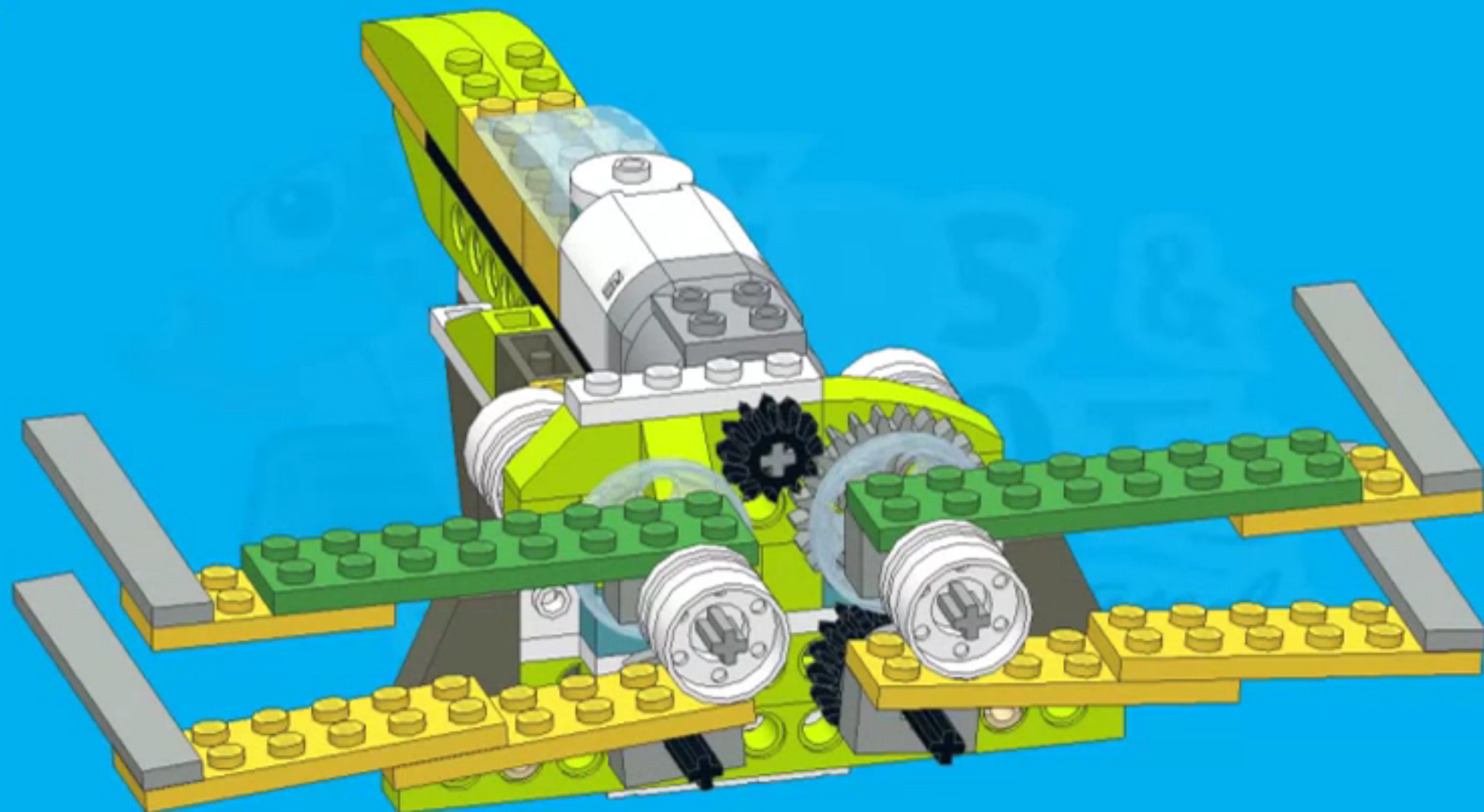


49

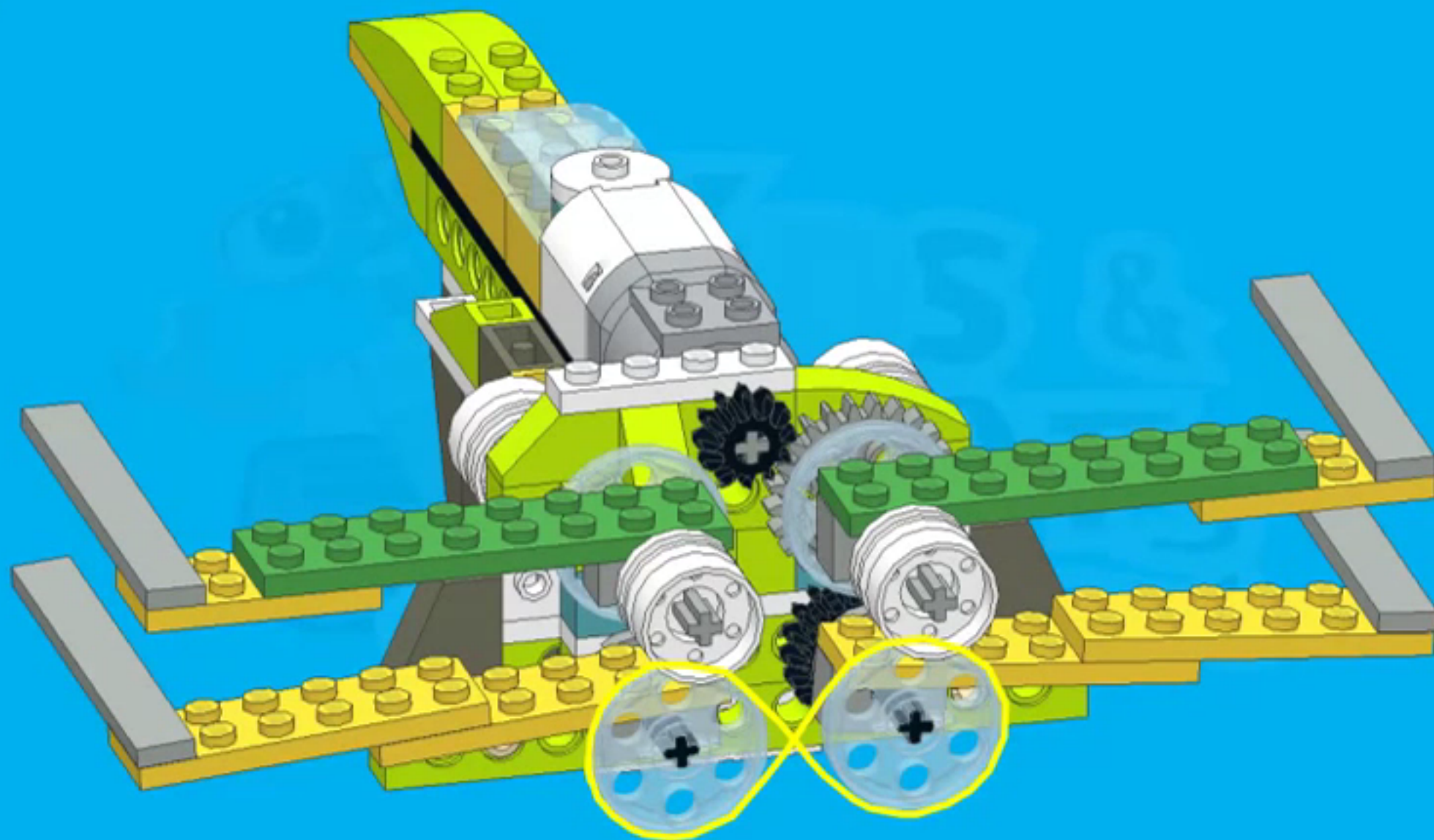
14x18



2x

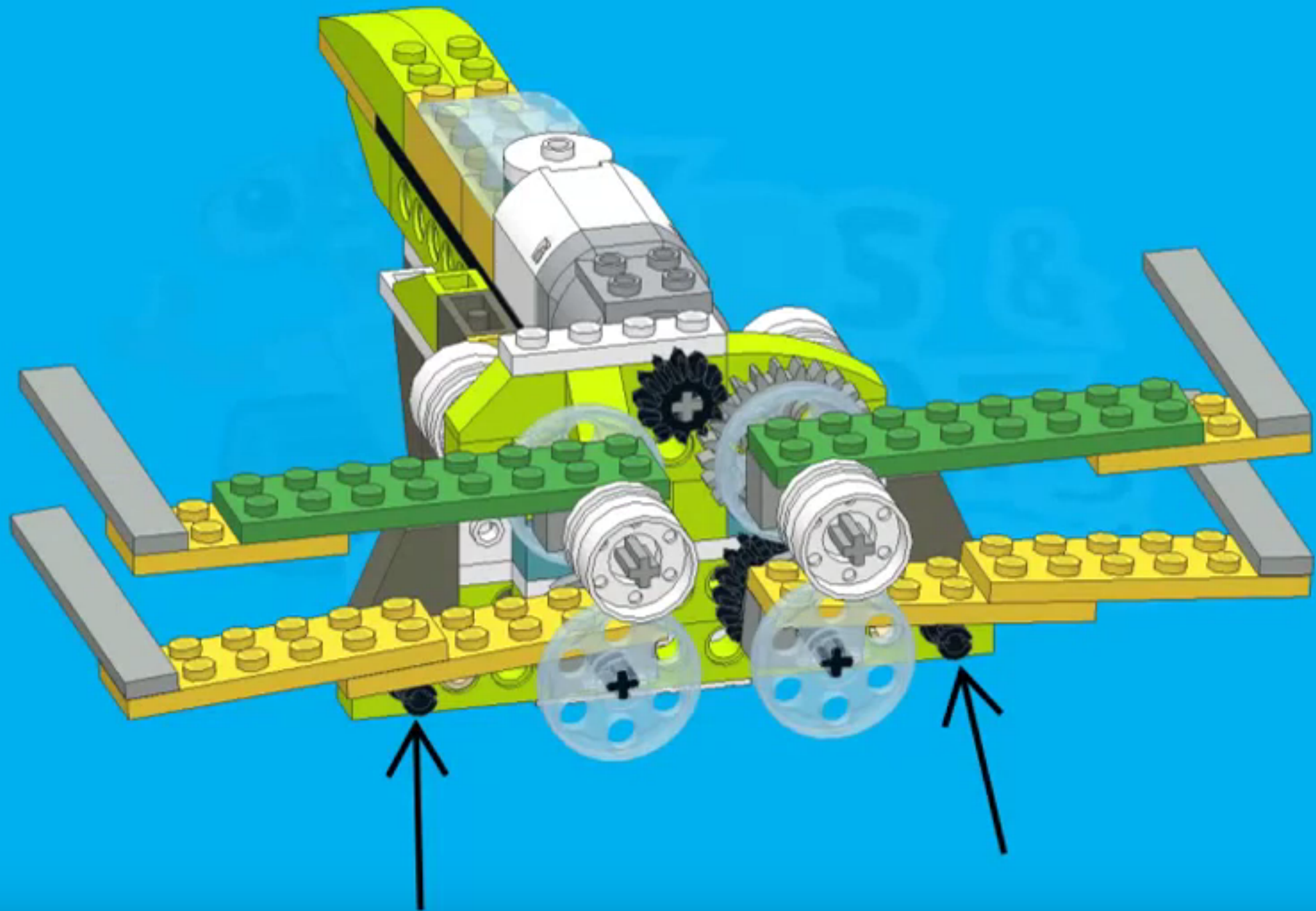


50

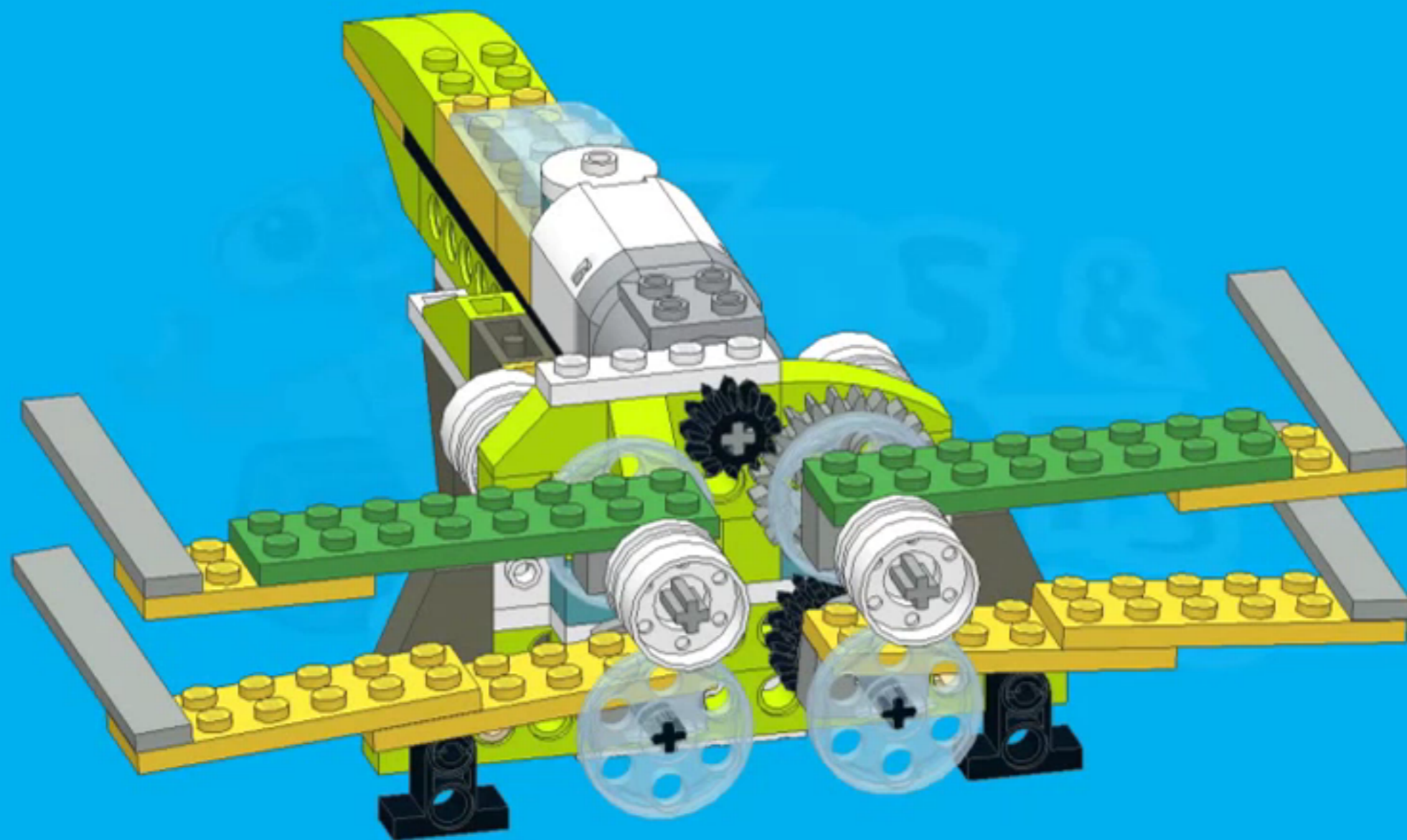


**Place the yellow rubber
as seen in the picture**

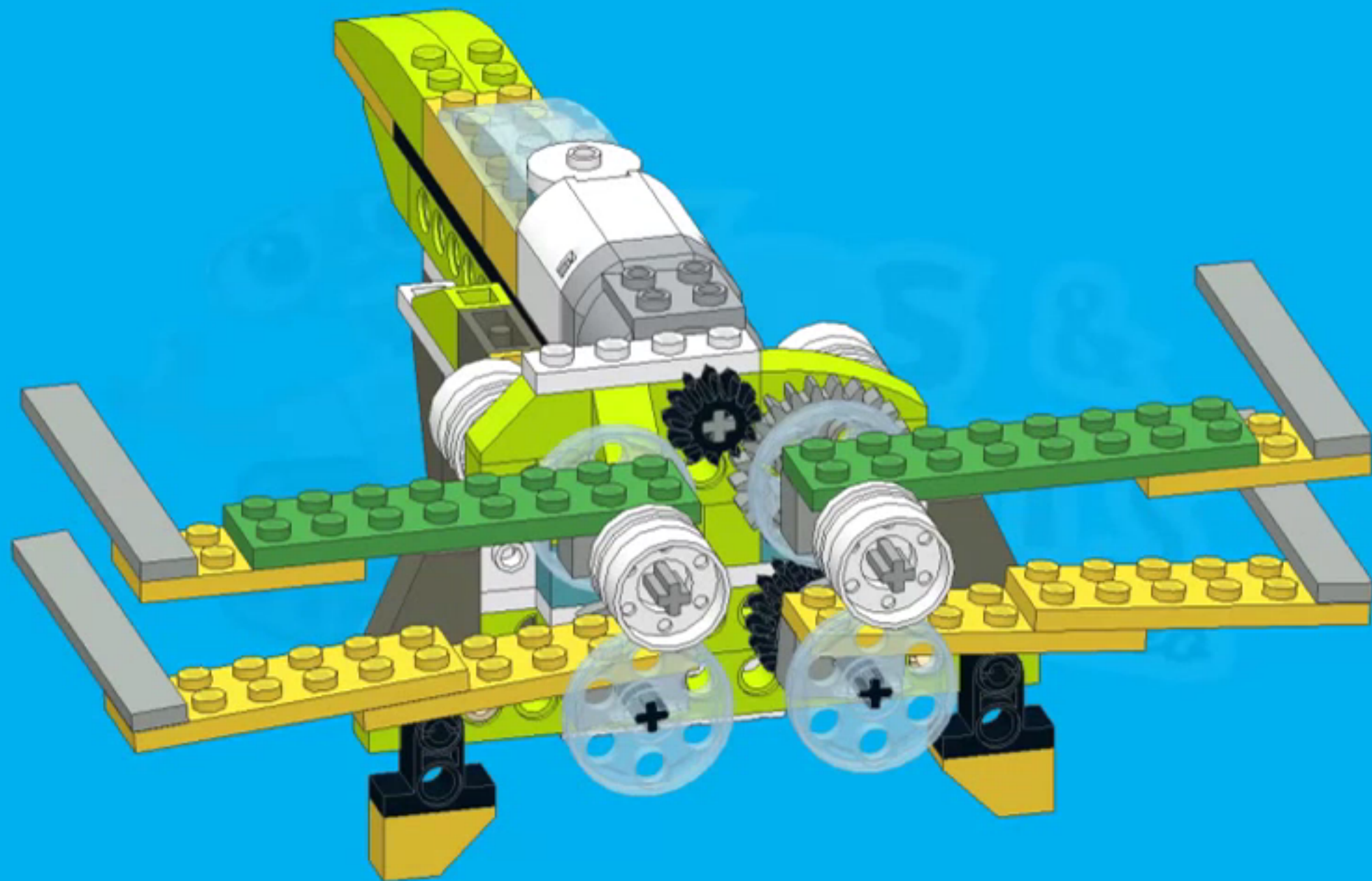
51



52



53



54

